

iQ Dispense Valves

333585P

EN

Dispense valves for controlling material flow of adhesives, sealants, and other materials that are compatible with the wetted parts of the valve. For professional use only.

Not approved for use in explosive atmospheres or hazardous (classified) locations.

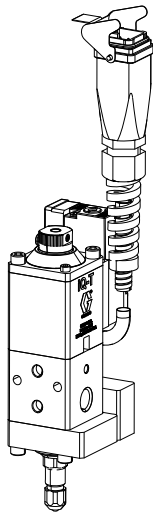
4000 psi (28 MPa, 276 bar) Maximum Working Pressure
120 psi (0.8 MPa, 8.3 bar) Maximum Air Pressure

See page 3 for model information.

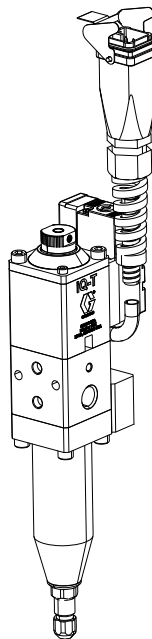


Important Safety Instructions

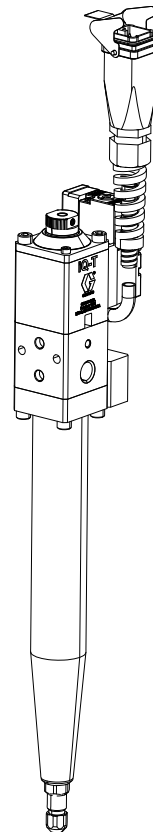
Read all warnings and instructions in this manual before using the equipment.
Save these instructions



V25FT000BB



V25FT060BB



V25FT200BB



Contents

Models	3	Parts	27
4000 psi (28 MPa, 276 bar) Maximum Working Pressure	3	Tip Seal Dispense Valves	27
5000 psi (34.5 MPa, 345 bar) Ball-Seat Valves Maximum Working Pressure	4	Ball-Seat Dispense Valves	29
4000 psi (28 MPa, 276 bar) RAC Tip Valves	4	Snuff-Back Seal Dispense Valves	31
4000 psi (28 MPa, 276 bar) Snuff-Back Valves Maximum Working Pressure	4	PGM Snuff-Back Seal Dispense Valves	34
45 Degree Outlet Valves	4	PGM Tip Seal Dispense Valves	37
Warnings	5	Tip Sizes for Tip Seal Valves 1/8 in. Rod Assemblies 38	
Component Identification	8	Air Section	39
Ball-Seat and Tip Seal Dispense Valves	8	Tip Assembly,	41
Snuff-Back Dispense Valve	9	1/8 in. Dia. Rods: 25B307, 25B308, 25B309, 25B316, 25T450, 26B660	41
Heater Assembly	10	3/16 in. Dia. Rods: 26D314, 26D315	41
PGM Tip Seal Dispense Valve VGMFT000BA	11	Heater Assembly Parts	42
PGM Snuff Back Dispense Valve VGMFS000BA	12	Valve Mounted Solenoid	43
Theory of Operation	13	1/4 in. NPT Valve Repair Kits	44
Valve Types	13	Accessories	45
Installation	14	Pressure Transducer Adapter, 25R640	45
Grounding	14	Heat Block Spacer, 25R642	45
Flush Before Using Equipment	14	Vision Adapter Kit, 25R650	45
Install Dispense Valve	14	Seal Assembly Tool, 25R643	45
Adjust Stroke	15	Seal Installation Tool, 25R644	45
Pressure Relief Procedure	16	Swivel Fitting, 130995	45
Maintenance	17	Remote Solenoid Kit, 25R668	46
Factors Affecting Valve Life	17	Grease Zerk Fitting, 130883	46
Recycling and Disposal	18	Grease Plug, 136249	46
End of Product Life	18	Solenoid Valve Actuation Cable, 25R781	46
Troubleshooting	18	Solenoid Valve Actuation Cable, 25R799	46
Repair	20	PCF Crossover Cable, 25T263	46
Disconnect Air Section	20	Seal Kit Elite, 25B589	47
Connect Air Section	21	Seal Kit Elite, 25B588	47
Fluid Section Repair	21	Pressure Transducer, 15M669	47
Replace U-Cup Cartridge, Fluid Section O-rings, and Tip Assembly	21	PGM, Valve Kit, 26B977	48
Assembly	22	Luer Fixed Adapter Kit, 2005723	48
Air Section Repair	23	Tip Seal Blank, Kit, 26B804	48
Replace RTD Sensor and Heater Cartridges	25	Needle Kits, 10 pk	48
		Dimensions and Mounting	49
		Ball-Seat and Snuff-Back Dispense Valves	50
		Heat Assembly	51
		Wiring Diagrams	52
		Electric Housing Wiring Diagram	52
		Technical Specifications	54
		California Proposition 65	55
		Graco Standard Warranty	56

Models

4000 psi (28 MPa, 276 bar) Maximum Working Pressure

NOTE: The Heated option for the iQ Valves is for warm melt applications with a maximum temperature of 70° C (158° F).

Check the identification plate on the valve for the ten-digit part number of the valve. Use the following matrix to define the construction of the valve, based on the ten digits. For example, Part No. **V25AB060BA** represents a valve (**V**) with 1/4 in. NPT inlet ports (**25**), 1/4 in. NPT outlet port (**A**), ball-seat type (**B**), 60 mm outlet block length (**060**), valve mounted solenoid (**B**), non-heated (**A**).

First Digit	Second and Third Digit		Fourth Digit		Fifth Digit		Sixth, Seventh, and Eighth Digit		Ninth Digit		Tenth Digit	
	Size		Tip Size		Type		Outlet Block Length		Action		Heat	
V	25	1/4 in. NPT	A	1/4 in. NPT	B	Ball-Seat	000	0 mm	B	Valve Mounted Solenoid	A	None
	GM	PGM Valve	B	RAC Tip	S	Snuff-Back	060	60 mm	D	*Remote Solenoid Block	B	240 Volt Heated
	EL	Elite	C	0.6 mm	T	Tip Seal	200	200 mm			C	120 Volt Heated
			D	1.0 mm								
			F	1.3 mm								
			G	1.7 mm								
			H	2.0 mm								
			J	2.5 mm								
			K	3.0 mm								
			L	4.0 mm								

* Remote solenoid can be purchased as an accessory or supplied by customer. See **Accessories** on page 46.

NOTE: Second and third digit code GM (PGM) is only available with part numbers: VGMFS000BA, VGMFS060BA, VGMFS200BA, VGMFT000BA, VGMFT060BA, and VGMFT200BA

NOTE: Second and third digit code EL (Elite) is only available as iQ tip valves with 2.5 mm and 4.0 mm nozzle tip assemblies.

NOTE: Fourth digit code A (1/4 in. NPT) is only available when the fifth digit code is B (ball-seat) or S (snuff-back). It is not available when the fifth digit code is T (tip seal).

NOTE: Fourth digit codes D,F,G,H and J are only available with 1/8 in. dia rod assembly.

NOTE: Fourth digit codes K and L are only available with 3/16 in. dia. rod assembly.

NOTE: Fourth digit code B (RAC Tip) is only available with part numbers V25BB000BA and V25BB000DA.

NOTE: Fourth digit code J, K and L are only available when the fifth digit code is T (tip seal).

NOTE: Tenth digit code C (120 Volt) is only available with part number V25FT200DC.

5000 psi (34.5 MPa, 345 bar) Ball-Seat Valves Maximum Working Pressure

25R843: 1/4 in. NPT inlet ports, 1/4 in. NPT outlet port, ball-seat. 000 outlet block length, valve mounted solenoid, non-heated.

25R844: 1/4 in. NPT inlet ports, 1/4 in. NPT outlet port, ball-seat, 000 outlet block length, remote solenoid block, non-heated.

***25R843:** Include stainless steel fluid housings.

***25R844:** Include stainless steel fluid housings.

4000 psi (28 MPa, 276 bar) RAC Tip Valves

V25BB000BA: 1/4 in. NPT inlet ports, RAC tip, ball-seat, 000 outlet block length, valve mounted solenoid, non-heated.

V25BB000DA: 1/4 in. NPT inlet ports, RAC tip, ball-seat, 000 outlet block length, remote solenoid block, non-heated.

NOTE: RAC spray tip is purchased separately.

4000 psi (28 MPa, 276 bar) Snuff-Back Valves Maximum Working Pressure

26B986: 1/4 in. NPT inlet ports, 1/4 in. NPT outlet port, 000 outlet block length, valve mounted solenoid, non-heated.

***26B986** Include stainless steel fluid housings.








45 Degree Outlet Valves

26B490: 1/4 in. NPT inlet ports, 45 degree outlet, snuff-back 000 outlet block length, valve mounted solenoid., non-heated.

26B491: 1/4 in. NPT inlet ports, 45 degree outlet, snuff-back 000 outlet block length, remote solenoid., non-heated.

Warnings

The following warnings are for the setup, use, grounding, maintenance, and repair of this equipment. The exclamation point symbol alerts you to a general warning and the hazard symbols refer to procedure-specific risks. When these symbols appear in the body of this manual or on warning labels, refer back to these Warnings. Product-specific hazard symbols and warnings not covered in this section may appear throughout the body of this manual where applicable.

 WARNING	
    	<p>SKIN INJECTION HAZARD</p> <p>High-pressure fluid from dispensing device, hose leaks, or ruptured components will pierce skin. This may look like just a cut, but it is a serious injury that can result in amputation. Get immediate surgical treatment.</p> <ul style="list-style-type: none">• Do not point dispensing device at anyone or at any part of the body.• Do not put your hand over the fluid outlet.• Do not stop or deflect leaks with your hand, body, glove, or rag.• Follow the Pressure Relief Procedure when you stop dispensing and before cleaning, checking, or servicing equipment.• Tighten all fluid connections before operating the equipment.• Check hoses and couplings daily. Replace worn or damaged parts immediately.
	<p>BURN HAZARD</p> <p>Equipment surfaces and fluid that is heated can become very hot during operation. To avoid severe burns:</p> <ul style="list-style-type: none">• Do not touch hot fluid or equipment.



WARNING



FIRE AND EXPLOSION HAZARD

Flammable fumes, such as solvent and paint fumes, in **work area** can ignite or explode. Paint or solvent flowing through the equipment can cause static sparking. To help prevent fire and explosion:



- Use equipment only in well-ventilated area.
- Eliminate all ignition sources; such as pilot lights, cigarettes, portable electric lamps, and plastic drop cloths (potential static sparking).



- Ground all equipment in the work area. See **Grounding** instructions.
- Never spray or flush solvent at high pressure.
- Keep work area free of debris, including solvent, rags and gasoline.
- Do not plug or unplug power cords, or turn power or light switches on or off when flammable fumes are present.



- Use only grounded hoses.
- Hold gun firmly to side of grounded pail when triggering into pail. Do not use pail liners unless they are anti-static or conductive.
- **Stop operation immediately** if static sparking occurs or you feel a shock. Do not use equipment until you identify and correct the problem.
- Keep a working fire extinguisher in the work area.



ELECTRIC SHOCK HAZARD

This equipment must be grounded. Improper grounding, setup, or usage of the system can cause electric shock.



- Turn off and disconnect power at main switch before disconnecting any cables and before servicing or installing equipment.
- Connect only to grounded power source.
- All electrical wiring must be done by a qualified electrician and comply with all local codes and regulations.



TOXIC FLUID OR FUMES HAZARD

Toxic fluids or fumes can cause serious injury or death if splashed in the eyes or on skin, inhaled, or swallowed.

- Read Safety Data Sheets (SDSs) to know the specific hazards of the fluids you are using.
- Store hazardous fluid in approved containers, and dispose of it according to applicable guidelines.



WARNING



EQUIPMENT MISUSE HAZARD

Misuse can cause death or serious injury.



- Do not operate the unit when fatigued or under the influence of drugs or alcohol.
- Do not exceed the maximum working pressure or temperature rating of the lowest rated system component. See **Technical Specifications** in all equipment manuals.
- Use fluids and solvents that are compatible with equipment wetted parts. See **Technical Specifications** in all equipment manuals. Read fluid and solvent manufacturer's warnings. For complete information about your material, request Safety Data Sheets (SDSs) from distributor or retailer.
- Do not leave the work area while equipment is energized or under pressure.
- Turn off all equipment and follow the **Pressure Relief Procedure** when equipment is not in use.
- Check equipment daily. Repair or replace worn or damaged parts immediately with genuine manufacturer's replacement parts only.
- Do not alter or modify equipment. Alterations or modifications may void agency approvals and create safety hazards.
- Make sure all equipment is rated and approved for the environment in which you are using it.
- Use equipment only for its intended purpose. Call your distributor for information.
- Route hoses and cables away from traffic areas, sharp edges, moving parts, and hot surfaces.
- Do not kink or over bend hoses or use hoses to pull equipment.
- Keep children and animals away from work area.
- Comply with all applicable safety regulations.



PERSONAL PROTECTIVE EQUIPMENT

Wear appropriate protective equipment when in the work area to help prevent serious injury, including eye injury, hearing loss, inhalation of toxic fumes, and burns. Protective equipment includes but is not limited to:

- Protective eyewear, and hearing protection.
- Respirators, protective clothing, and gloves as recommended by the fluid and solvent manufacturer.

Component Identification

Ball-Seat and Tip Seal Dispense Valves

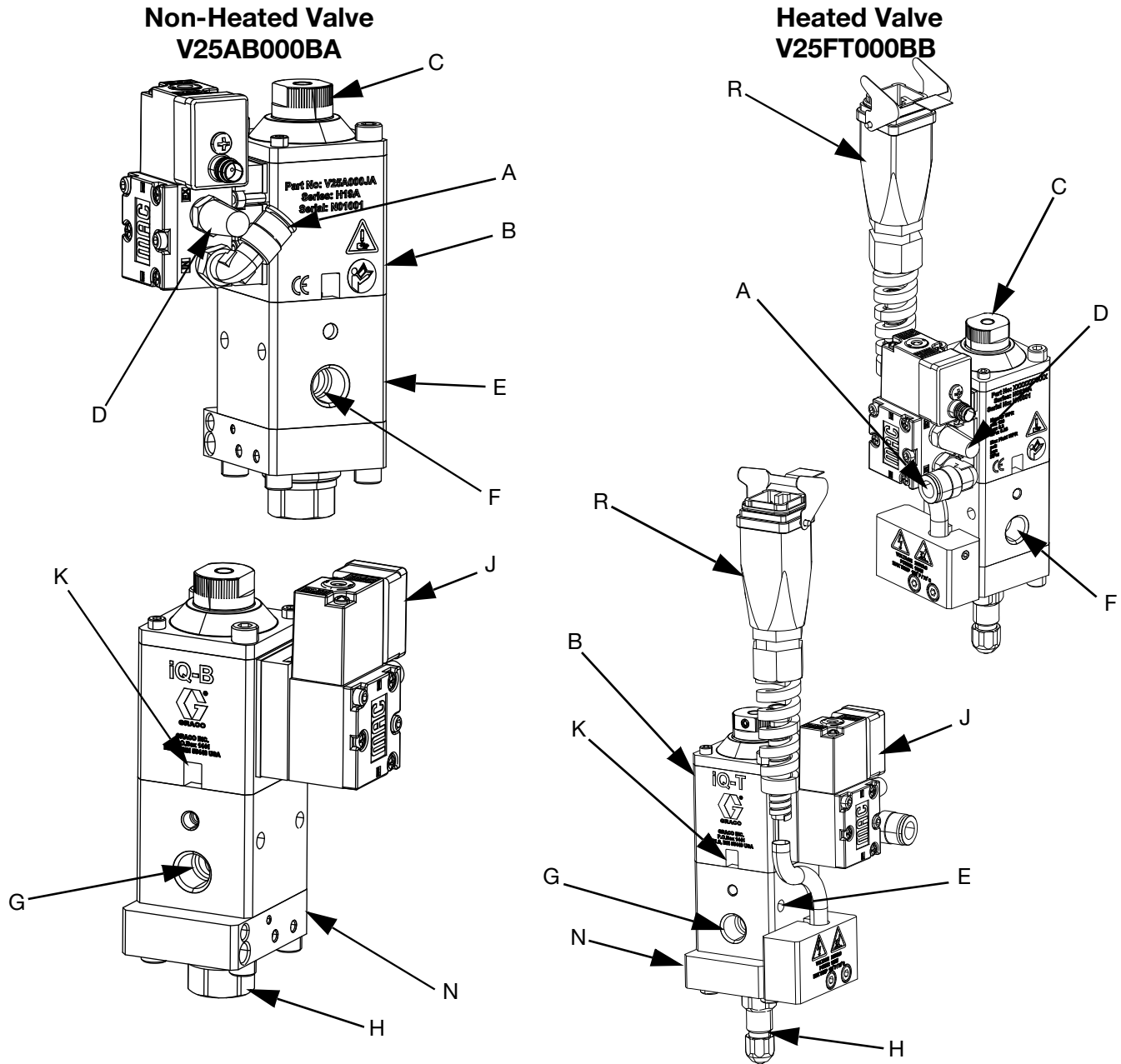


FIG. 1: Ball-Seat and Tip Seal Dispense Valve

Key:

- | | |
|--|-------------------------------------|
| A Air Fitting, 1/8 in. NPT male x 5/16 in. (8 mm) tube | G Additional 1/4 in. NPT Inlet Port |
| B Air Section | H Valve Tip |
| C Adjustment Nut | J Solenoid |
| D Muffler | K Weep Hole |
| E Fluid Housing | N Outlet Block |
| F 1/4 in. NPT Material Inlet Port | R Heater Assembly |

Snuff-Back Dispense Valve

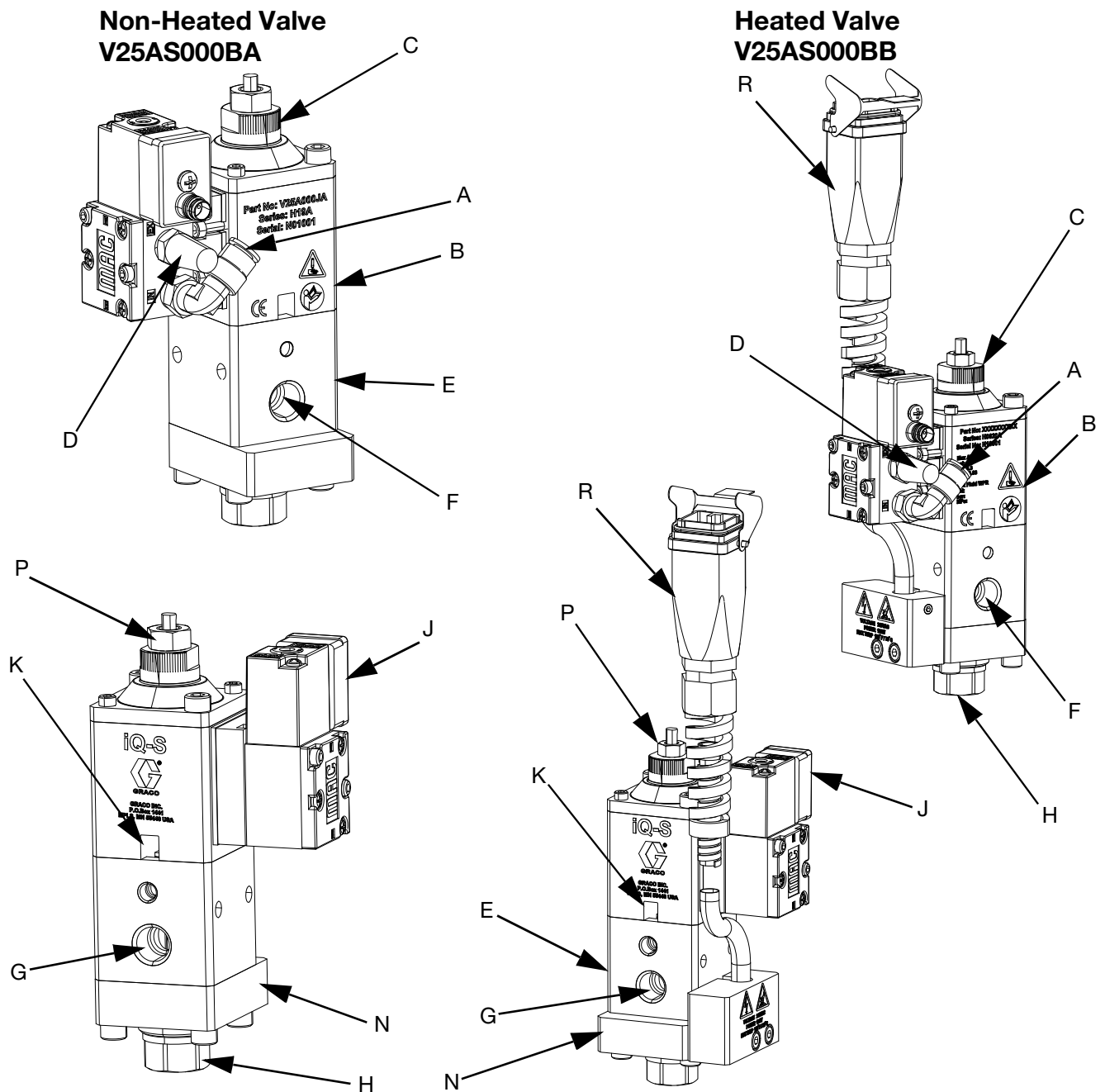


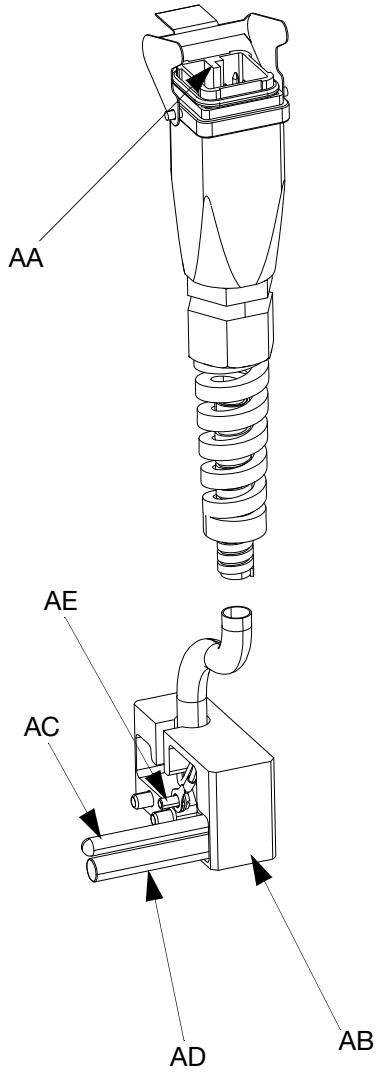
FIG. 2: Snuff-Back Dispense Valve

Key:

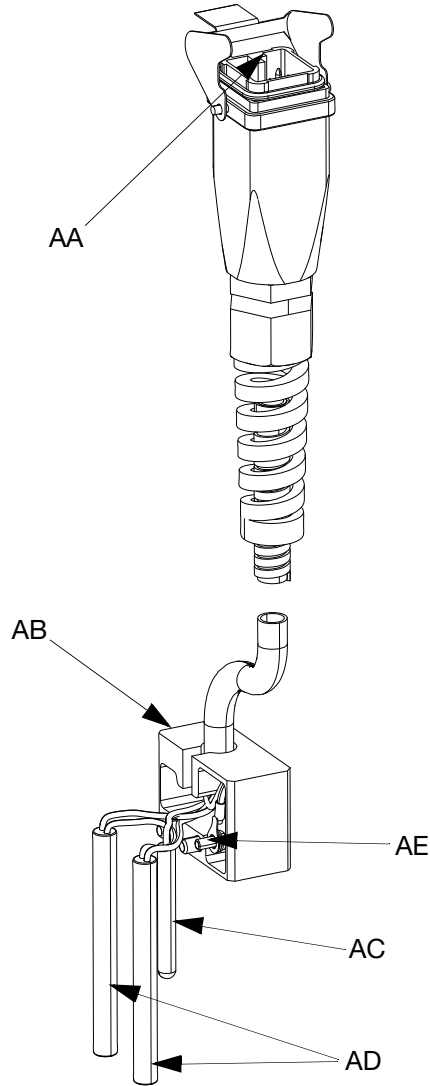
- | | |
|--|-------------------|
| A Air Fitting, 1/8 in. NPT male x 5/16 in. (8 mm) tube | H Valve Tip |
| B Air Section | J Solenoid |
| C Adjustment Nut | K Weep Hole |
| D Muffler | N Outlet Block |
| E Fluid Housing | P Lock Nut |
| F 1/4 in. NPT Material Inlet Port | R Heater Assembly |
| G Additional 1/4 in. NPT Inlet Port | |

Heater Assembly

**Heater Assembly
(for 0 mm Outlet Block)
15N028**



**Heater Assembly
(for 60 mm Outlet Block)
15N029**



**Heater Assembly
(for 200 mm Outlet Block)
Block15N030**

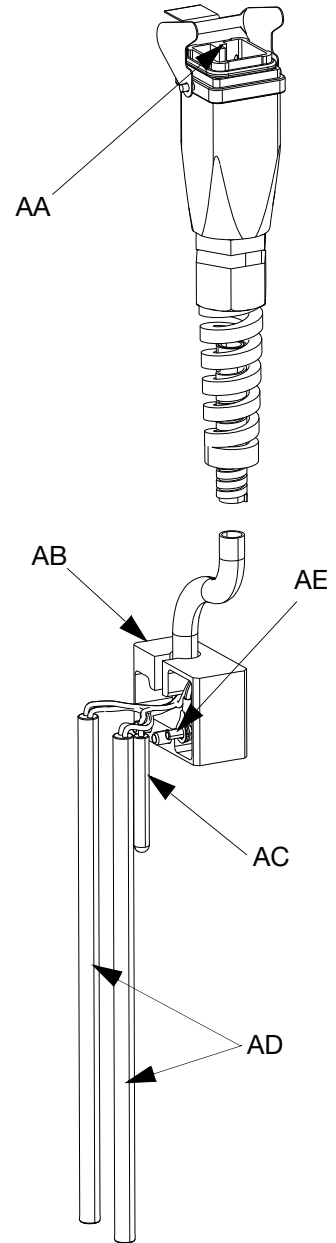


FIG. 3: Heated Housing

Key:

- AA Wire Harness Connector
- AB Heater Cover
- AC RTD Sensor
- AD Heater Cartridge(s)
- AE Ground Ring Terminal

PGM Tip Seal Dispense Valve VGMFT000BA

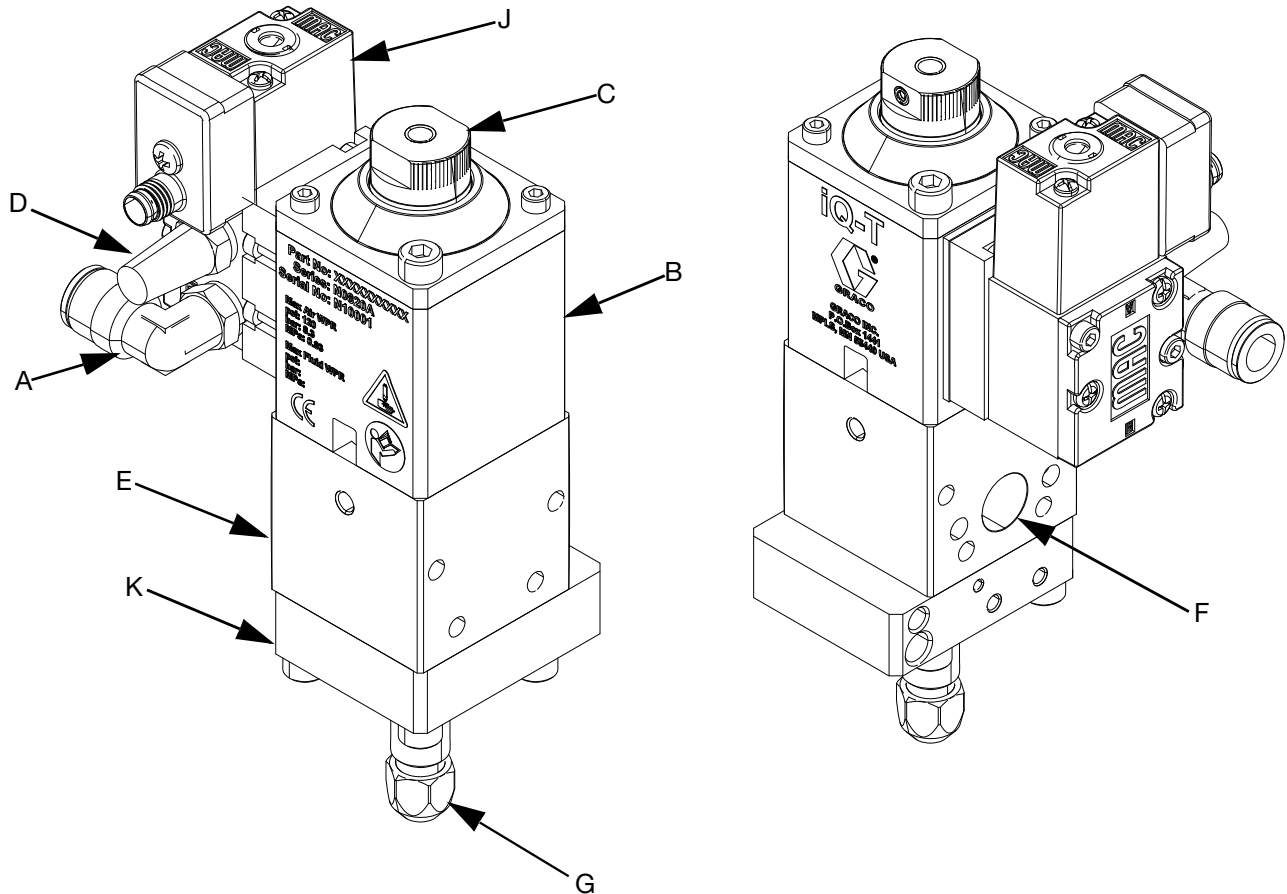


FIG. 4: PGM Tip Seal Dispense Valve VGMFT000BA

Key:

- A Air Fitting, 1/8 in. NPT male x 5/16 in. (8 mm) tube
- B Air Section
- C Adjustment Nut
- D Muffler
- E Fluid Housing
- F O-Ring Seal Face Inlet Port
- G Valve Tip
- J Solenoid
- K Weep Hole
- N Outlet Block

PGM Snuff Back Dispense Valve VGMFS000BA

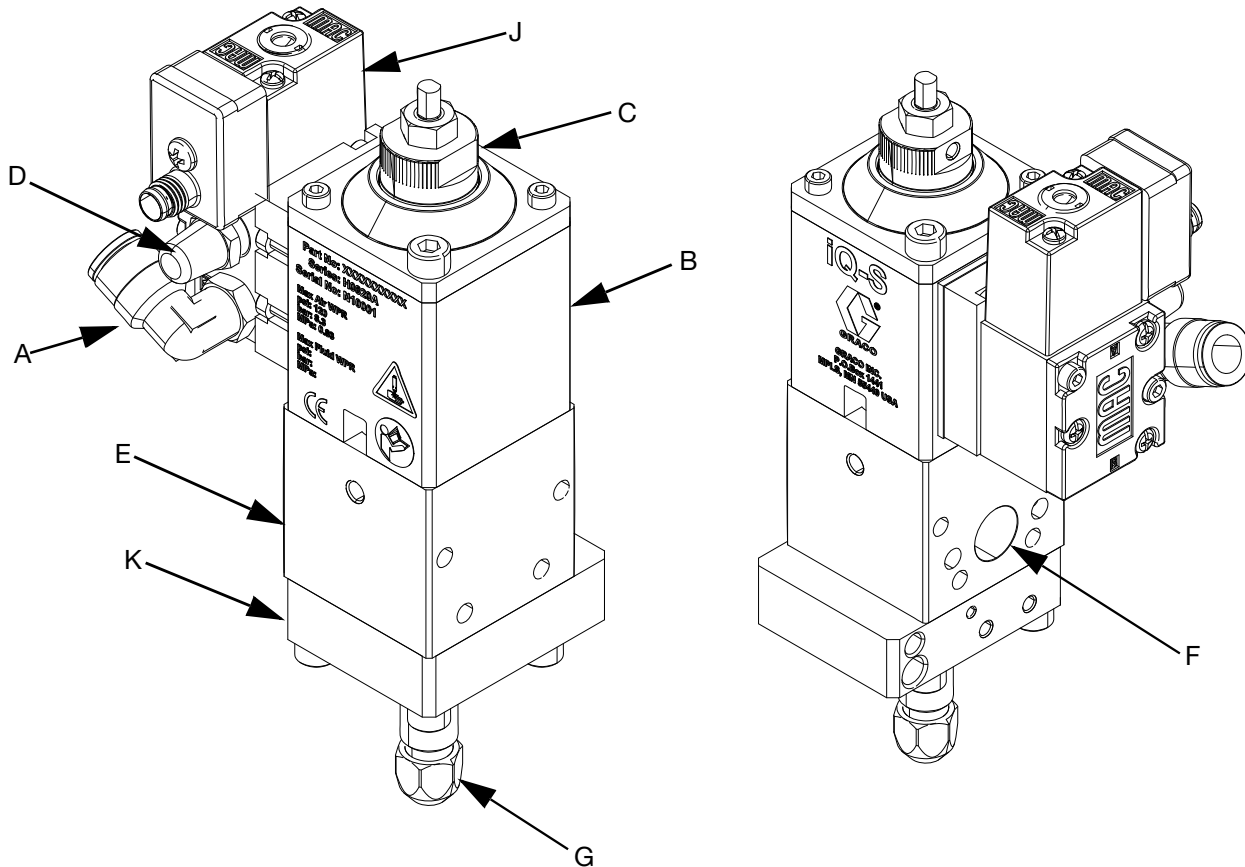


Fig. 5: PGM Snuff Back Dispense Valve VGNFS000BA

Key:

- A Air Fitting, 1/8 in. NPT male x 5/16 in. (8 mm) tube
- B Air Section
- C Adjustment Nut
- D Muffer
- E Fluid Housing
- F O-Ring Seal Face Inlet Port
- G Valve Tip
- J Solenoid
- K Weep Hole
- N Outlet Block

Theory of Operation

The iQ Dispense Valve uses a four-way exhausting solenoid to control the piston inside the valve.

Applying air pressure to the locations called out in the images below will either open or close the valves.

Snuff-Back (iQ-S): A reverse acting valve with a tungsten carbide tip sealing against a tungsten carbide seat.

Tip Seal (iQ-T): A forward acting valve with a tungsten carbide tip, sealing against a tungsten carbide seat.

Valve Types

Ball-Seat (iQ-B): A forward acting valve with a silicon nitride ball sealing against a tungsten carbide seat.

Tip Seal Valve (iQ-T)

Snuff-Back Valve (iQ-S)

Ball-Seat Valve (iQ-B)

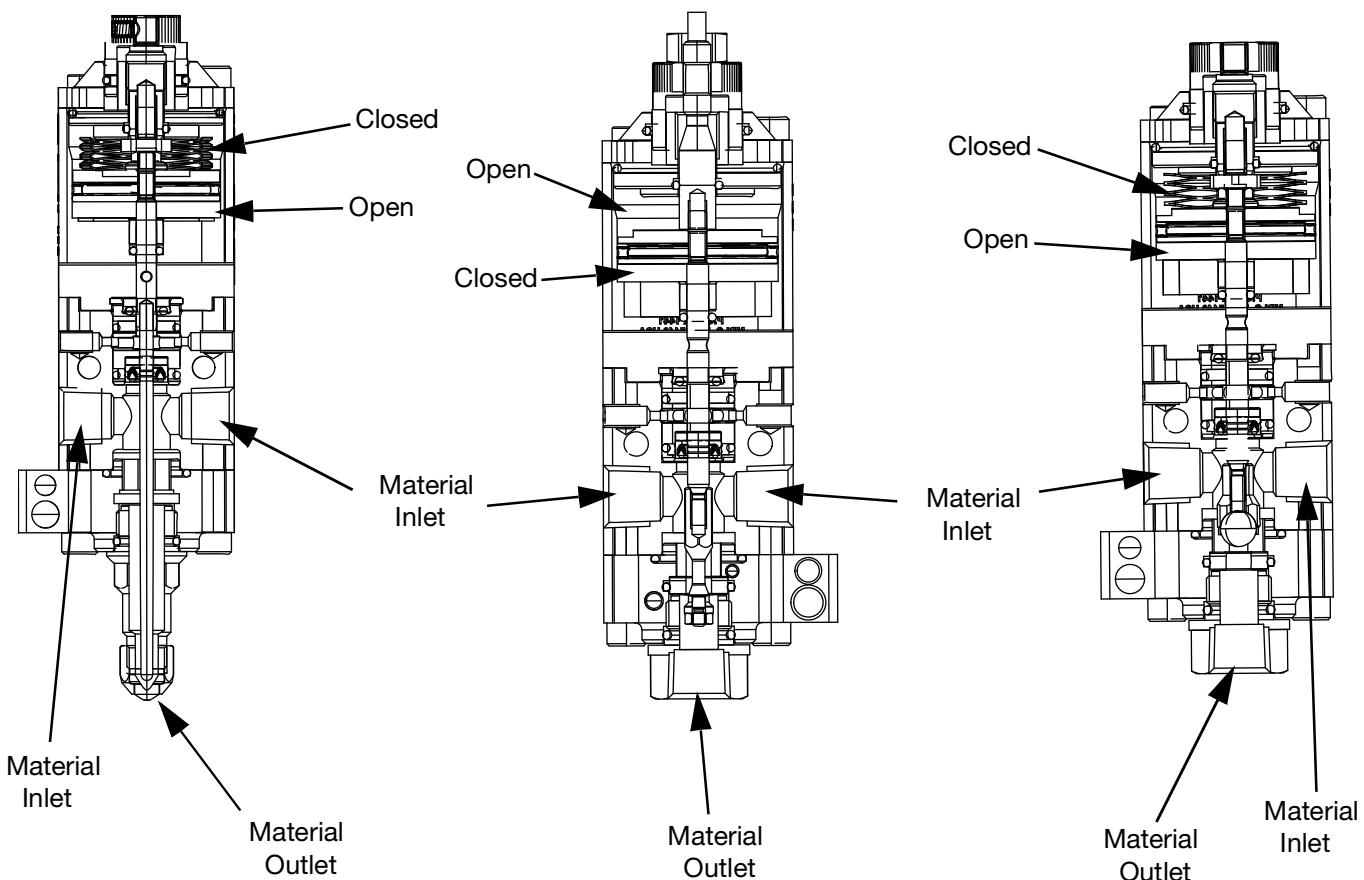


FIG. 6: Theory of Operation

Installation

Grounding



The equipment must be grounded to reduce the risk of static sparking and electric shock. Electric or static sparking can cause fumes to ignite or explode. Improper grounding can cause electric shock. Grounding provides an escape wire for the electric current.

The following grounding instructions are minimum requirements for a basic dispensing system. The specific system being used may include other equipment or objects that must be grounded. Check local electrical codes for detailed grounding instructions.

Dispense valve: ground through a connection to a properly grounded fluid hose and pump. For heated valves, connect the Wire Harness Connector (AA) to the connector on the heated hose. Verify that pin 8 on the heated hose connector is connected to a true earth ground. See **Wiring Diagrams** on page 52.

Pump: see your pump manual.

Fluid hoses: use only electrically conductive hoses with a maximum of 100 ft. (30.5 m) combined hose length to ensure grounding continuity. Check the electrical resistance of the air and fluid hoses at least once a week. If the total resistance to ground exceeds 25 megohms, replace the hose immediately. Use a meter that is capable of measuring resistance at this level.

Fluid supply container: follow local code.

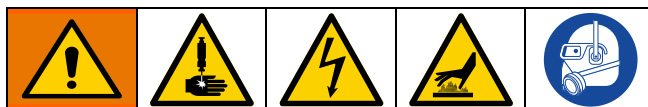
Solvent pails used when flushing: follow local code. Use only conductive metal pails, placed on a grounded surface. Do not place the pail on a non-conductive surface, such as paper or cardboard, which interrupts grounding continuity.

To maintain grounding continuity when flushing or relieving pressure: hold metal part of the dispense valve firmly to the side of a grounded metal pail, then trigger the valve.

Flush Before Using Equipment

The equipment was tested with lightweight mineral oil, which is left in the fluid passages to protect parts. To avoid contaminating your fluid with oil, flush the equipment with a compatible solvent before using the equipment.

Install Dispense Valve



The dispense valves have multiple mounting hole configurations. See **Dimensions and Mounting** on page 49. See **Technical Specifications** on page 54.

1. Inspect the dispense valve for shipping damage. If there is damage, notify the shipping carrier immediately.
2. Install compatible accessories. For a list of accessories and installation instructions, see **Accessories** on page 45.
3. Securely attach the dispense valve to its mounting fixture using socket head cap screws.
4. Connect air lines to the dispense valve:

NOTICE

Only use air fittings that are rated at a temperature equal to or higher than the operating temperature of the fluid dispensing system. Lower rated air fittings could melt and cause damage to the dispense valve.

- a. For valves with a Solenoid (J) mounted to the Air Section (B), connect the air supply tube to the Air Fitting (A). See FIG. 1 on page 8.

- b. For valves with a remote mounted Solenoid (J), see the table below. See FIG. 7.

Table 1: Tube Orientation

	Air Open	Air Closed
Tip Seal	Port #2	Port #1
Snuff-Back	Port #1	Port #2
Ball-Seat	Port #2	Port #1

5. Connect the fluid line to the NPT Material Inlet (F) in the valve body.
6. Connect the Wire Harness Connector (AA) to the heated hose receptacle.
7. For heated valves, install the insulator block between the housing and mounting surface.

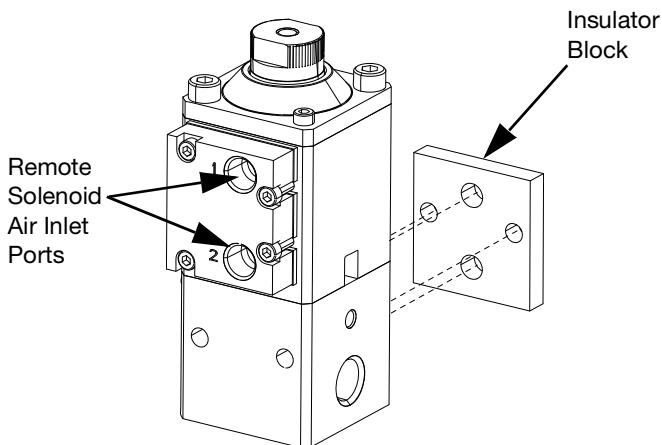


FIG. 7

Adjust Stroke

The Adjustment Nut (C) on the top of the valve can adjust the distance the dispense valve will open. This restricts the flow of material through the tip and seat. See FIG. 8.

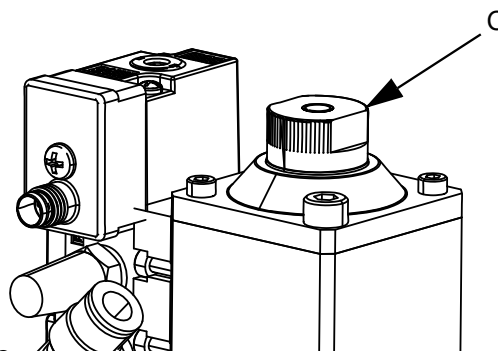


FIG. 8

1. Turn the Adjustment Nut (C) clockwise until the valve is held closed. See FIG. 8. For snuff-back valves, turn the Adjustment Nut (C) counterclockwise to reduce the distance the valve opens. See FIG. 9.
2. Slowly open the Adjustment Nut (C) and then cycle the air pressure until the desired flow is reached.
3. If your valve has a snuff-back tip, tighten the Lock Nut (P) to hold the Adjustment Nut (C) in place. See FIG. 9.

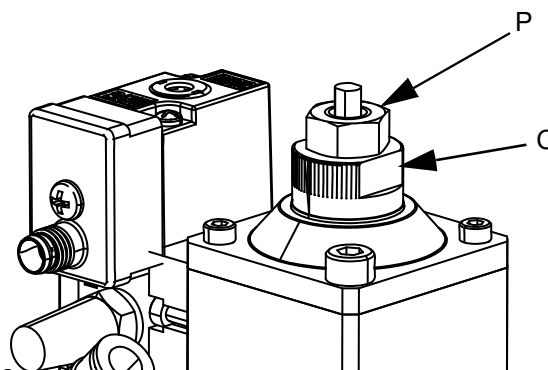


FIG. 9

Pressure Relief Procedure



Follow the Pressure Relief Procedure whenever you see this symbol.



This equipment stays pressurized until pressure is manually relieved. To help prevent serious injury from pressurized fluid, such as skin injection and splashing fluid, follow the Pressure Relief Procedure when you stop spraying and before cleaning, checking, or servicing the equipment.

This procedure describes how to relieve pressure from the dispense valve. See your supply system manual for instructions on relieving pressure from the entire system.

1. Shut off the material supply.
2. Actuate the dispense valve into a grounded metal waste container to relieve the fluid pressure.
3. Relieve all air pressure in the air lines by shutting off the bleed-type air valve.
4. If heated, shut off electrical power to the dispense valve.
5. If the valve tip or fluid hose is clogged or if pressure has not been fully relieved after following the steps above, **VERY SLOWLY** loosen the NPT inlet fitting from the applicator fluid body or hose end coupling to relieve pressure gradually, then loosen completely. Clear the hose or tip obstruction.

Maintenance

Inspect the dispense valve, material, and air lines at least once every two weeks. Inspect for leakage and other visible damage.

The following tables list recommended maintenance procedures and frequencies. The maintenance is divided between mechanical and electrical tasks. A typical application is a valve mounted on a robot dispensing a moderately abrasive sealant.

Table 2: Mechanical

Task	Weekly	Monthly or 100,000 cycles
Inspect for leaks	✓	
*Check hoses for wear	✓	
*Check/tighten fluid connections		✓
*Check/tighten air connections		✓
Check stroke adjustment	✓	
Lubricate packings		✓

* Assumes movement from automation.

Table 3: Electrical

Task	Weekly	Monthly
Check cables for wear	✓	
Verify cable connections	✓	
Verify resistance of electric heaters		✓
Verify resistance of RTD sensors		✓

Factors Affecting Valve Life

The maintenance tables should be used as a guideline for the frequency of maintenance tasks. Additional factors that could affect valve life include the following:

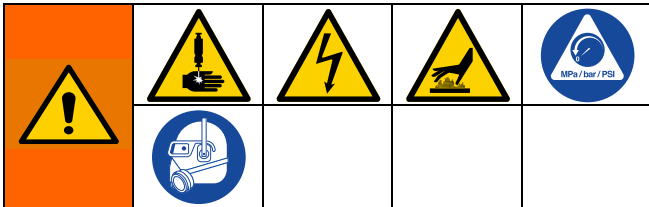
- **Process Fluid** - Abrasive or fiber filled fluids are much harder on seals, shafts, and seats than non-abrasive fluids such as oil.
- **Pressure drop across the valve seat** - As the valve opens or closes, the fluid is accelerated to a high velocity at the needle/seat contact area. The rate of wear at the needle/seat contact area will be much greater at 3000 psi than at 1000 psi. Changing the tip size to reduce fluid velocity can have a substantial affect on wear.
- **Number of cycles** - This has a much greater affect on valve wear than number of gallons. If you can do the same job with fewer on/off cycles, the valve will last longer.
- **Speed of actuation** - Opening and closing the valve quickly will increase needle and seat life. When using a remote mounted solenoid, use short air lines after the Solenoid (J) to improve open and close speed.
- **Air pressure** - This is what provides the force to hold the needle against the seat to seal against fluid pressure.

Recycling and Disposal

End of Product Life

At the end of the product's useful life, dismantle and recycle it in a responsible manner

Troubleshooting

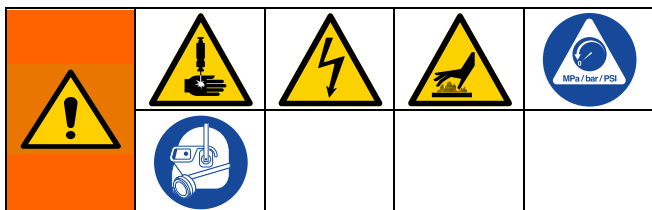


1. Follow the **Pressure Relief Procedure**, page 16, before servicing or repairing the valve.

Problem	Cause	Solution
Air leaks from dispense valve.	Worn gasket.	Replace gasket.
	Loose or worn air connections.	Tighten air connections.
	Worn o-rings.	Replace o-rings in Air Section (B).
	Loose end cap screws.	Tighten screws.
Material leaks from front of dispense valve.	Seal, tip, or seat is worn.	Replace seat seals, tip, and/or seat.
		Check and replace tip, if necessary. If replacing needle, you must reverse or replace seat.
	Obstruction inside dispense valve.	Remove nose piece. Check and replace if necessary, cartridge, tip, and seat.
Material leaks from dispense valve weep hole.	Seals not installed correctly.	Check cartridge seals and replace cartridge and rod.
	Seals are worn.	

Problem	Cause	Solution
Dispense valve does not shut off.	Loose air connections or air supply turned off.	Tighten air connections.
	Worn needle-seat interface.	Replace cartridge, tip, and seat.
	Broken piston, debris in air cylinder, or debris inside the fluid section (ball-seat and tip seal valves only).	Disassemble dispense valve. Check and replace, if necessary, piston, piston rod, and o-rings.
	Spring broken or not installed correctly.	Disassemble dispense valve. Check spring and replace, if necessary.
Dispense valve does not open or dispense material.	Loose air connections or air supply turned off.	Tighten air connections.
	Broken rod, piston, or tip. Debris or cured material inside fluid section.	Disassemble dispense valve. Check and replace, if necessary, piston, piston rod, and o-rings.
Dispense valve does not heat material.	Loose heater wires.	Check and reconnect wire connections.
	Loose sensor wires.	Check and reconnect wire connections.
	Heater unit failed.	Replace cable assembly.
	Sensor failed.	
	No power to heating circuitry.	Apply power to heating circuitry.

Repair



Perform the following procedure before servicing the dispense valve.

1. Perform the **Pressure Relief Procedure** on page 16.
2. For heated valves, shut off electrical power to the dispense valve and disconnect the Wire Harness Connector (AA).
3. Allow the valve to cool completely before servicing.

Disconnect Air Section

1. Follow steps 1 and 3 above.
2. Disconnect the air lines from the valve.
3. If using a Snuff-Back valve (iQ-S), the Snuff-Back tip (309) must be removed before the Air Section (B) can disconnect from the Fluid Section (E). See FIG. 10..

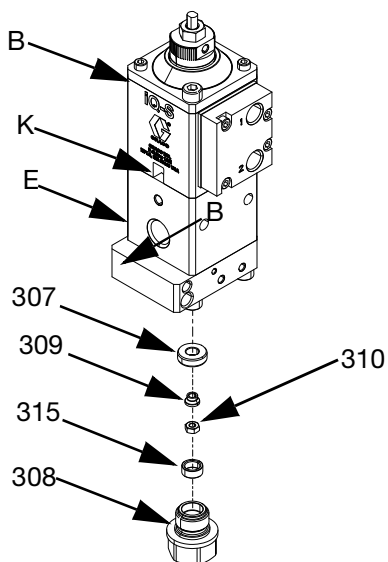


FIG. 10

4. Remove the Snuff-Back adapter (308) and spacer (315).
5. Place an Allen key through the piston rod (410) hole located in the Weep Hole (K). Unthread the nut (310) using a 5.5 mm socket or nut driver and remove the tip (309).
6. If the Fluid Section (E) is not mounted, place the Fluid Section in a vise.
7. Remove the M5 screws (401) using a 4mm allen wrench from the top of the air cylinder. Gently pull the Air Section (B) until the piston rod (410) is removed from the Fluid Section (E). See FIG. 11.

NOTE: O-rings in the Fluid Section (E) may stick to the u-cup cartridge, requiring more force to separate the Fluid and Air Sections (E, B).

8. If necessary, replace the Air Section (B) with an assembled Air Section with rod, u-cup cartridge, and tip.
9. To access or replace the Ball Seat and Tip Seat valves, remove the Air Section Screws (401) from the top of the Air Section (B). Pull the Air Section from Fluid Section.

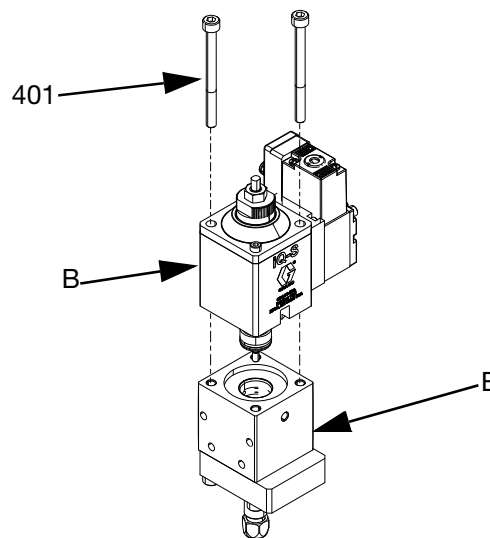


FIG. 11

Connect Air Section

1. If your valve has a snuff-back tip, complete snuff-back tip assembly step 5 from page 22.
2. Slide the assembled Air Section (B), with piston rod, u-cup cartridge, and tip assembly, into the top of the Fluid Section (E).
3. Torque the M5 screws (401) to 55 in.-lbs (6.2 N•m).
4. Connect the air lines.

NOTE: Ensure the air fittings and fluid inlet are in the desired position relative to one another.

Fluid Section Repair

The u-cup cartridge, fluid section o-rings, and seat seal can be replaced without disconnecting the valve body from the mounting equipment, or material hoses.

Only rebuild the Fluid Section when fluid weeps out the Weep Hole (K). To rebuild the Fluid Section, see **Replace U-Cup Cartridge, Fluid Section O-rings, and Tip Assembly** and **Air Section Repair** on page 23.

NOTE: Always replace o-rings after the Fluid Section has been disassembled.

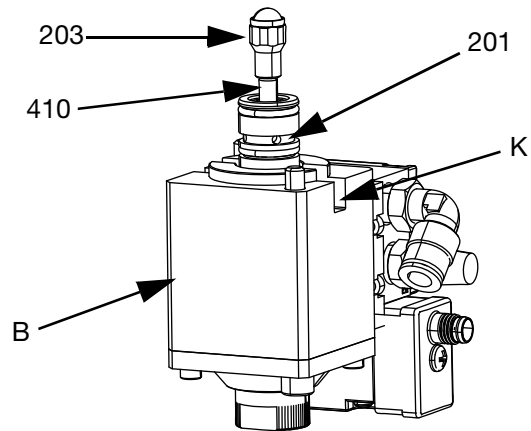
Replace U-Cup Cartridge, Fluid Section O-rings, and Tip Assembly

Disassembly

1. Perform the **Pressure Relief Procedure** on page 16.
2. Follow the steps to **Disconnect Air Section** on page 20.

For valves with a Ball Seat assembly

1. Place an Allen key or rod into the hole to keep the piston rod (410) from rotating. Remove the ball assembly (203) with a 9 mm wrench.



Ball Seal Valve shown

FIG. 12

2. Remove the seal kit (201) by sliding the seal kit off of the shaft.
3. Inspect the piston rod (410) and tip/ball assembly (203) for damage to rings, grooves, or pitting. Replace either if worn.

For valves with a Tip Seal assembly

1. Remove the seal kit (101) by sliding the seal kit off the Rod Assembly (102) shaft.
2. Inspect the Rod Assembly (102) tip and shaft for grooves or pitting. Replace the Rod Assembly if worn. See FIG. 13 page 21.

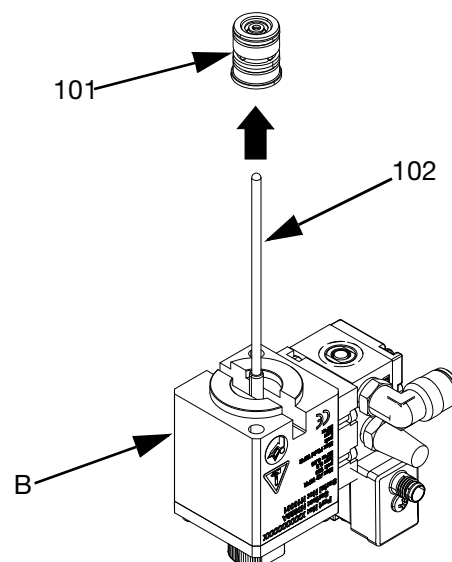


FIG. 13

Assembly

NOTICE

To prevent damage to the seals during installation, use the seal assembly tool shown in the **Accessories** section on page 45 to install the seal kit.

Assembly For Valves With Ball-Seat:

1. Apply a light amount of the supplied blue anaerobic adhesive to the bottom threads of the piston rod (410).
2. Screw the ball assembly (203) on the piston rod (410).
3. Place the valve in a vertical position in a vise. Place an Allen key through the piston rod (410) located in the Weep Hole (K). See FIG. 12 page 21.
4. Use a small torque wrench with a 9 mm socket or crowfoot to tighten the ball assembly (203) to the piston rod (410). Torque to 20 in-lbs (2.3 N•m).
5. Follow the steps to **Connect Air Section** on page 21.

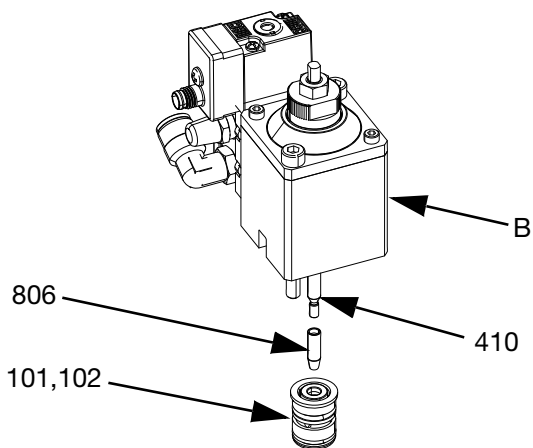


FIG. 14

Assembly For Snuff - Back Valves:

1. Use the seal assembly tool (806) to install the new seal kit (101, 201) on the piston rod with the flange against the Air Section (B).
2. Remove and save the seal assembly tool (806).
3. Apply grease on the outside of the seal kit (101, 201).

4. Place an Allen key through the piston rod (410) located in the Weep Hole (K). See FIG. 16.

NOTICE

To prevent damage to the valve, ensure there is no grease on the piston rod threads.

5. Apply the supplied blue anaerobic adhesive to the bottom threads of the piston rod (410) threads.
6. Reinstall the rod adapter (306) and torque to 20 in-lbs (2.3 N•m) using a 6 mm wrench or crowfoot.
7. Reinstall the Fluid Section (E), and Outlet Block (N).
8. Slide the seat (307) onto the rod adapter (306).
9. Slide the tip seat (309) onto the rod adapter (306). Note the orientation of the tip seat and rod adapter in FIG. 15.

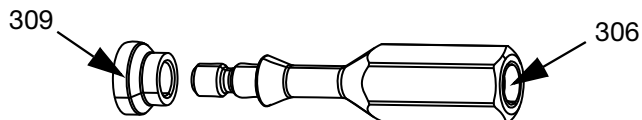


FIG. 15

10. Apply the supplied blue anaerobic adhesive to the treads of the rod adapter (306). Tighten the nut (310) to 20 in-lbs (2.3 N•m).

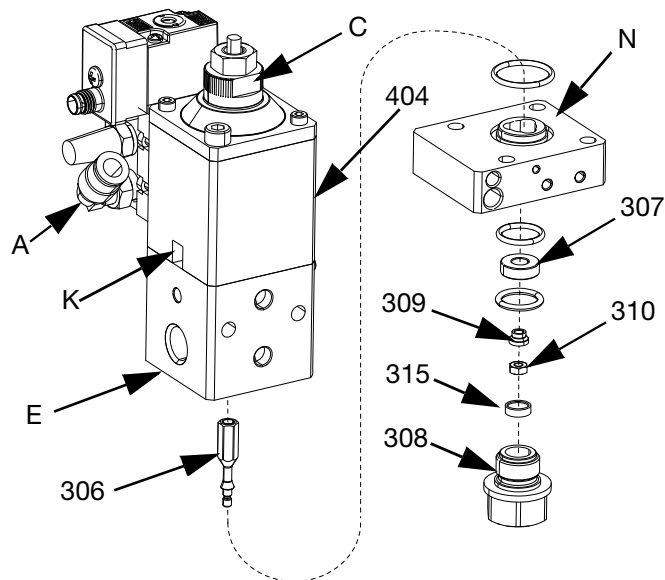


FIG. 16

Air Section Repair

Follow the steps below if a noticeable air leak is detected in the Air Section (B).

Disassembly

1. To repair the Air Section (B), you must remove the tip assembly. Complete the disassembly procedure to **Replace U-Cup Cartridge, Fluid Section O-rings, and Tip Assembly** on page 21.
2. Remove two screws (402).
3. Remove the air end cap (404), piston rod assembly, and spring (407)(ball-seat and tip seal valves only) from the Air Section (B).

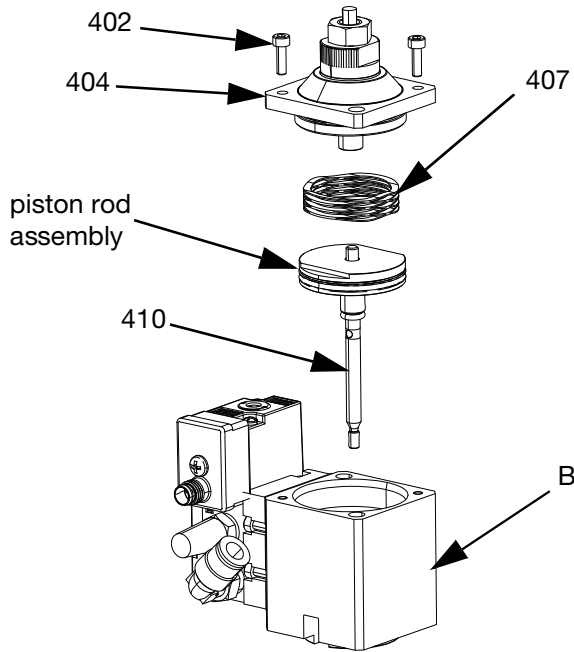


FIG. 17

4. Use a clean cloth to remove all material inside the Air Section (B). Inspect for damage such as scoring marks.
5. For valves with snuff-back tip assemblies (FIG. 18):
 - a. Remove the piston rod assembly (409 and 410) from the rod adapter (416) and the air end cap (404). Hold the piston rod (410) with an Allen key through the piston rod hole and unthread the rod adapter (416).

- b. Place a wrench on the piston (409) flats, and an Allen key through the hole in the piston rod (410).
- c. Unthread the piston (409) from the piston rod (410).

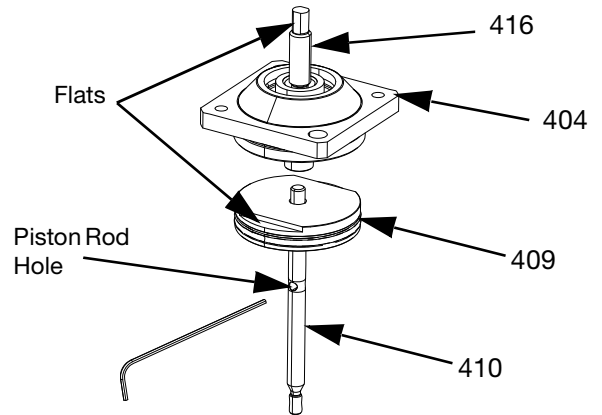


FIG. 18

6. For valves with ball-seat tip assemblies (FIG. 19):
 - a. Place an Allen key in the through hole in the piston rod (410) and unthread the nut (417) using a 7 mm socket or wrench.

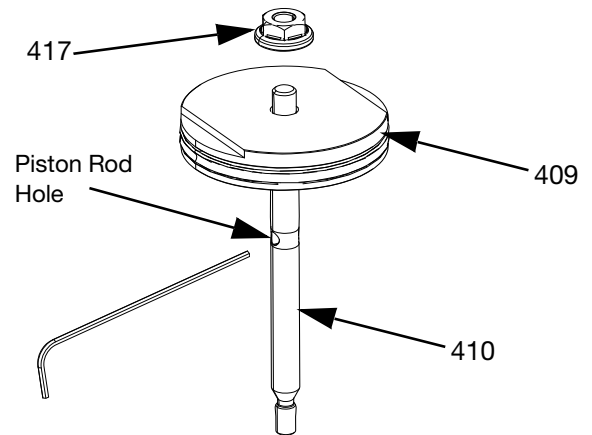


FIG. 19

- b. Place the flats of the piston (409) in a vise with the piston rod facing upward. Un-thread the piston rod (410) from the piston (409).
- c. Inspect the piston (409) and piston rod (410) for damage. Replace if necessary.

7. For valves with tip seal tip assemblies (FIG. 20):

- a. Place an Allen key through the hole in the tip assembly (102) and unthread the nut (417) using a 7 mm socket or wrench.
- b. Place the flats of the piston (409) in a vise with the piston rod facing upward. Un-thread the tip assembly (102) from the piston (409).
- c. Inspect the piston (409) and tip assembly (102) for damage. Replace if necessary.

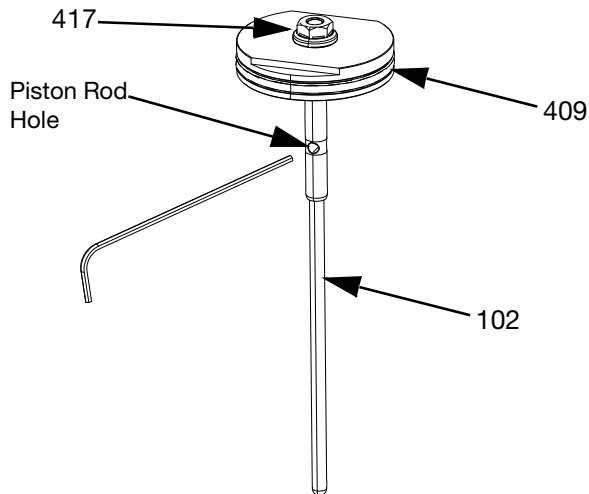


FIG. 20

8. For valves with snuff-back tips, unthread the locknut (414) and the knob assembly (415).
9. For valves with ball-seat or tip seal tips, unthread the adjuster stop (413) and unthread the knob assembly (412).

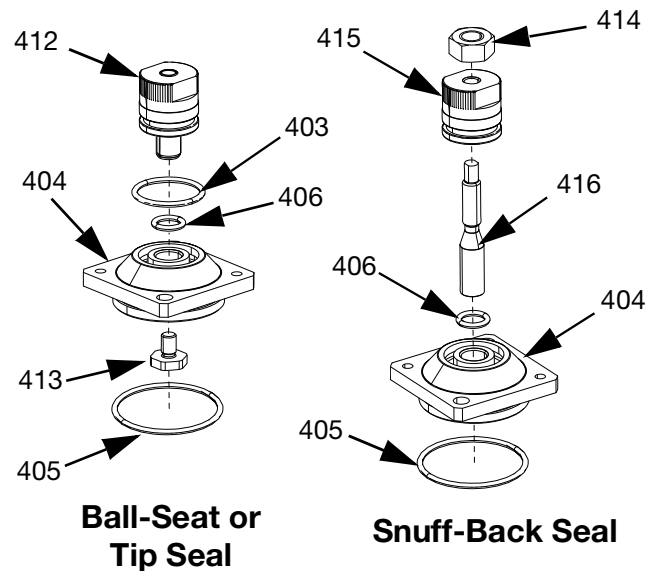


FIG. 21

Assembly

1. To assemble the air cylinder cap (404) on valves with ball-seat or tip seal assemblies:
 - a. Install the o-ring (403) on the knob assembly (412). Place the o-ring (406) in the air cylinder cap (404). See FIG. 21.
 - b. Grease the o-ring (403) on the knob assembly (412) and screw it into the air cylinder cap (404). See FIG. 21.
 - c. Apply the supplied blue anaerobic adhesive to the adjuster stop threads (413) and screw it into the knob assembly (412). Torque to 8-10 in-lbs (0.90 - 1.2 N•m). See FIG. 21.
2. To assemble the air cylinder cap (404) on valves with snuff-back tip assemblies:
 - a. Install the o-ring (406) into the air cylinder cap (404). Insert the rod adapter (416) into the air cylinder cap (404). See FIG. 21.
 - b. Install the o-ring (405) onto the air cylinder cap (404). See FIG. 21.
 - c. Thread the knob assembly (415) and the locknut (414) onto the rod adapter (416). See FIG. 21.
3. To assemble the Air Section (B) on valves with ball-seat or tip seal assemblies:
 - a. Replace the piston o-ring (408) if it is scratched, cut, or worn. See FIG. 22.
 - b. Apply the assembly tool to the tip of the piston rod (410), then insert it into the Air Section (B). See FIG. 22.
 - c. Remove the assembly tool.
 - d. Place the spring (407) on the top of the piston (409). See FIG. 22. Replace the air cylinder cap (404) and insert the screws (402). Press down on the air cylinder cap (404) to compress the spring (407). Torque to 8-10 in-lbs (0.90 - 1.12 N•m).

Replace the air cylinder cap (404) and insert the screws (402). Press down on the air cylinder cap (404) to compress the spring (407). Torque to 8-10 in-lbs (0.90 - 1.12 N•m). cap (404) to compress the spring (407). Torque to 8-10 in-lbs (0.90 - 1.12 N•m).

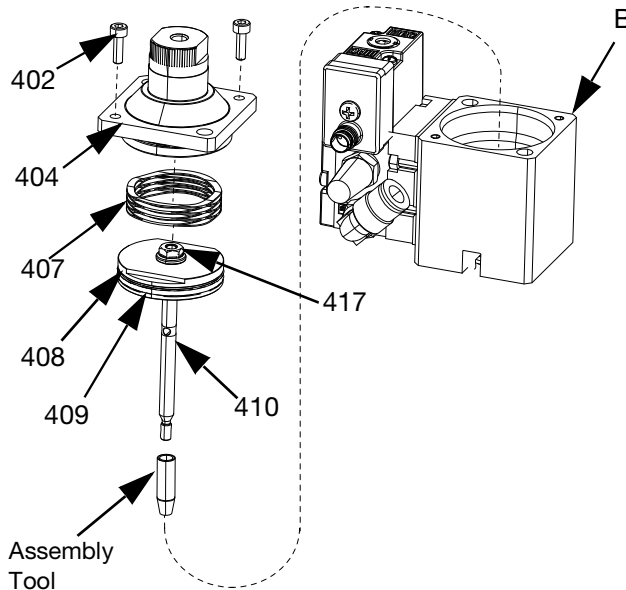


FIG. 22

4. To assemble the Air Section (B) on valves with snuff-back tip assemblies:
 - a. Replace the piston o-ring (408) if it is scratched, cut, or worn. See FIG. 23
 - b. Apply the supplied blue anaerobic adhesive on the piston rod threads (410).
 - c. Thread the piston rod (410) into the piston (409).
 - d. Place the piston flats (409) in a vise. Place an Allen key into the hole in the piston rod (410). Torque to 8-10 in-lbs (0.9-1.1 N•m). Place nut (417) on piston rod and torque to 24-36 in - lbs (2.7 - 4.1 N•m).
 - e. Insert the piston assembly with the assembly tool installed through the o-ring at the bottom of the Air Section (B).
 - f. Remove the assembly tool.

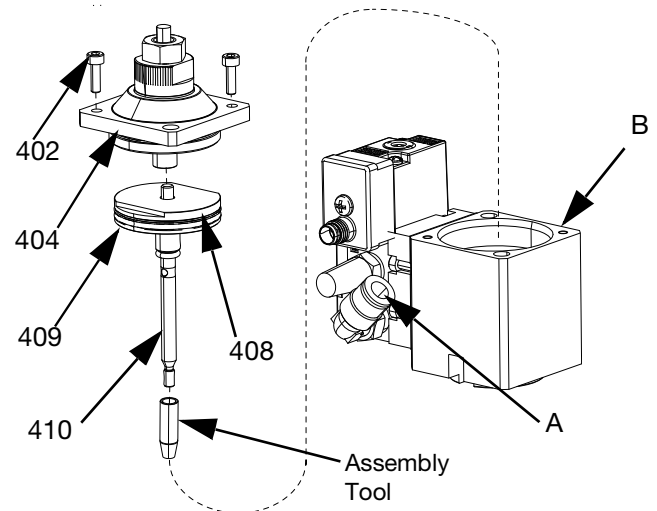


FIG. 23

5. Apply the supplied blue anaerobic adhesive on the threads of two screws (402) and install through top of the air cylinder cap (404).
6. Follow the **Replace U-Cup Cartridge, Fluid Section O-rings, and Tip Assembly** instructions on page 21.

Replace RTD Sensor and Heater Cartridges

				
All electrical wiring must be done by a qualified electrician and comply with all local codes and regulations.				

1. Follow the **Pressure Relief Procedure** on page 16.
2. Remove the two socket head screws (607) and loosen the set screw (608).
3. Lift the metal conduit up from the heat cover (604, 606). Remove the heater cover (604, 606).
4. Remove the ground screw (609) and star washer (610).
5. Remove the harness (601, 602, 603) by sliding the heater cartridge and RTD out of the heater block.
6. Replace the harness (601, 602, 603) with a new harness assembly.
7. Coat the heater cartridge and RTD with thermal grease compound.

- Slide the heater cartridge and RTD into the heater block.
- Replace the ground wire, heater cover, and mounting screws.

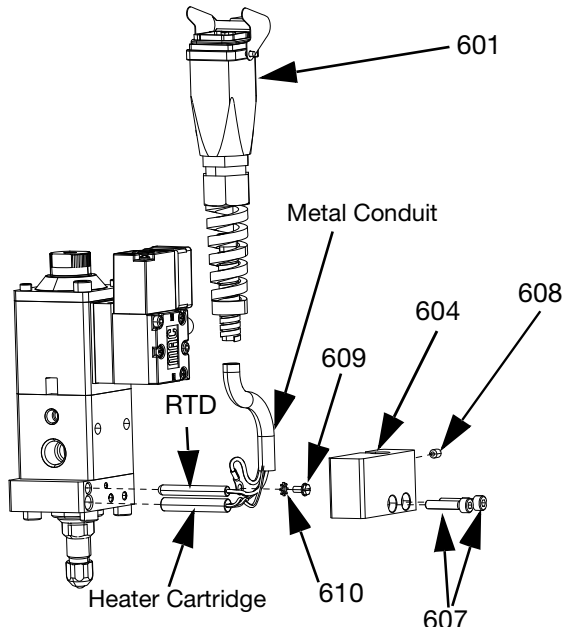


FIG. 24: Heater Assembly for 0 mm Outlet Block

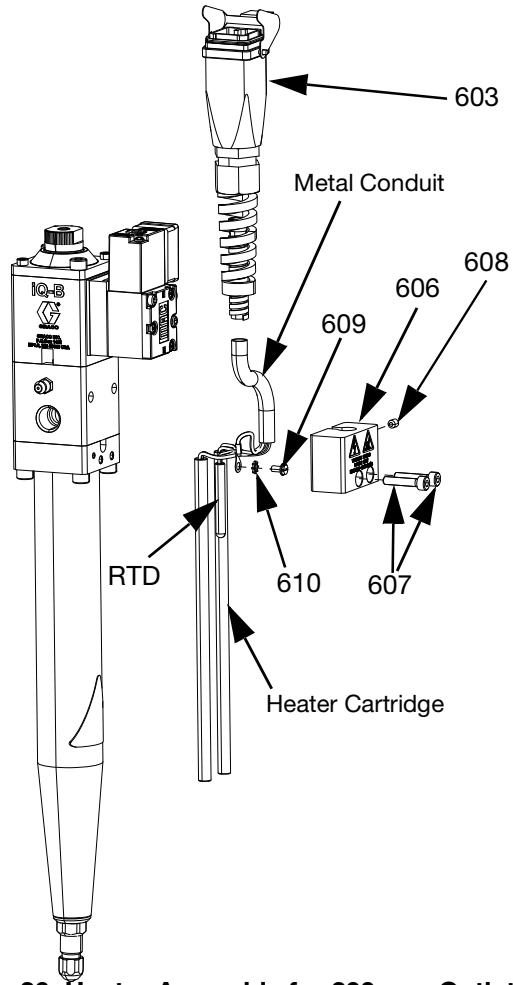


FIG. 26: Heater Assembly for 200 mm Outlet Block

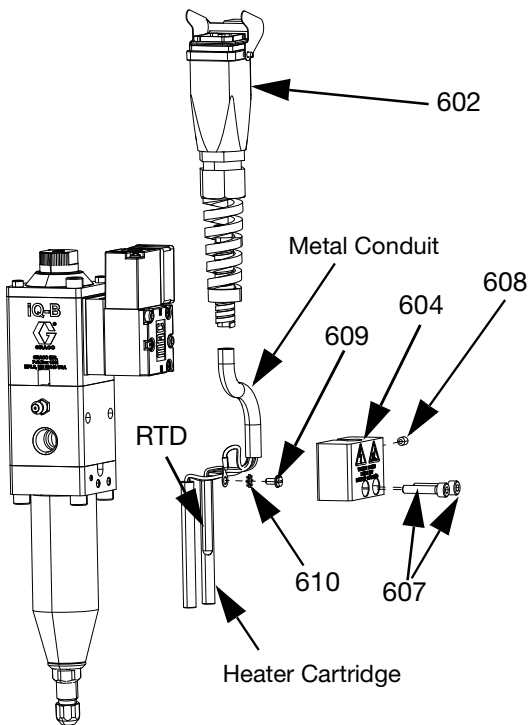


FIG. 25: Heater Assembly for 60 mm Outlet Block

Parts

Tip Seal Dispense Valves

V25FT000BA
Tip Seal Valve

V25FT060BA
Tip Seal Valve
(shown with 60 mm
outlet block)

V25FT200BA
Tip Seal Valve
(shown with 200 mm
outlet block)

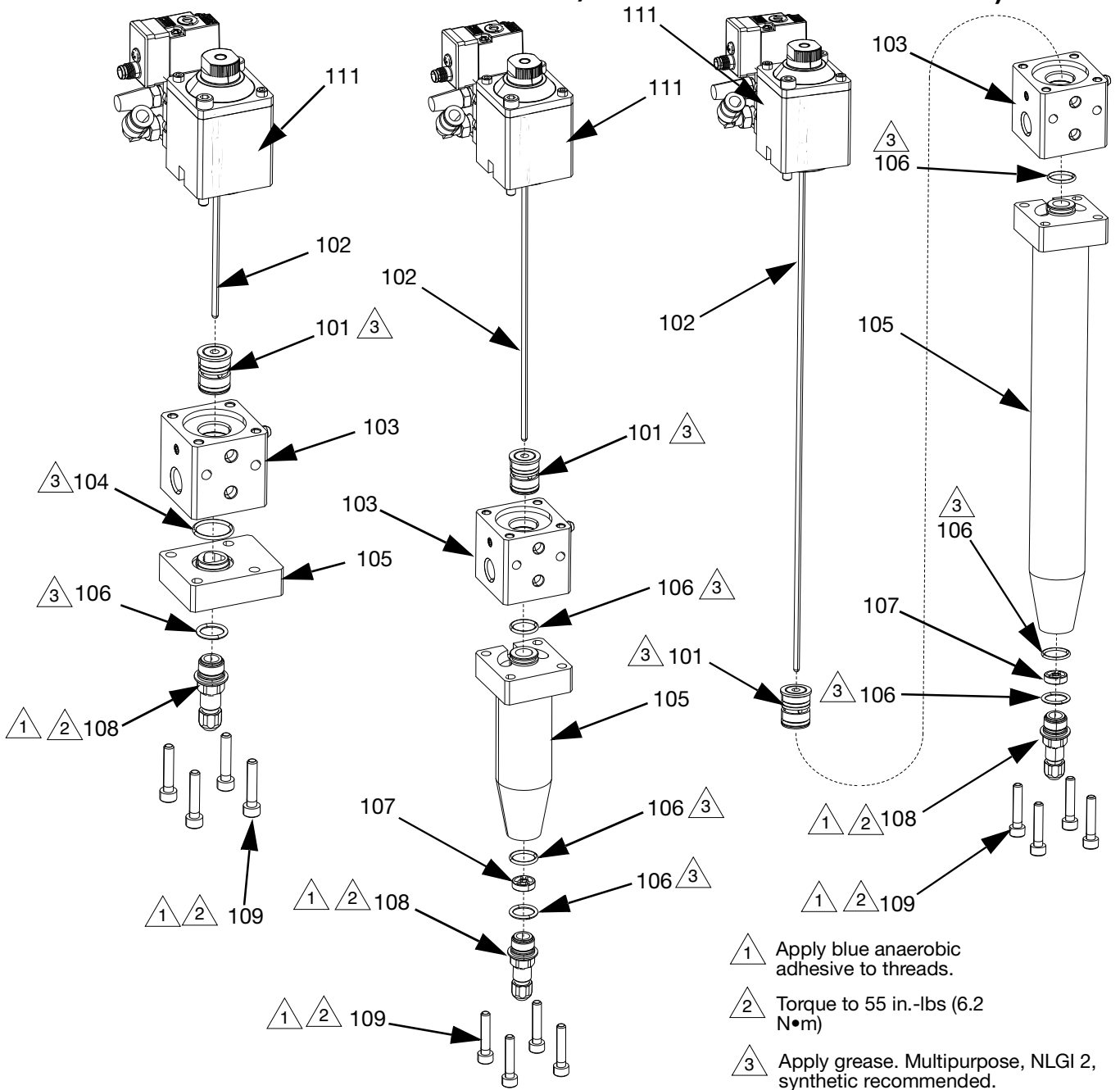


FIG. 27

Tip Seal models

Ref.	Part	Description	1/8 in. Rod Qty.			3/16 in. Rod Qty.		
			0 mm	60 mm	200 mm	0 mm	60 mm	200 mm
101	25B302	KIT, seal, 1/8 in. shaft	1	1	1			
	26A861	KIT, seal, 3/16 in. shaft				1	1	1
	25B588	KIT, seal, 1/8 in. shaft, Elite	1	1	1			
	25B589	KIT, seal, 3/16 in. shaft, Elite						
102	26A859	ROD ASSY, tip, 1/8 in.	1					
	25B304	ROD ASSY, tip, 1/8 in.		1				
	25B125	ROD ASSY, tip, 1/8 in.			1			
	26B981	ROD ASSY, tip, 3/16 in.				1		
	26B979	ROD ASSY, tip, 3/16 in.					1	
	26B980	ROD ASSY, tip, 3/16 in.						1
103	26A857	HOUSING, fluid, 1/4 in. , AL	1	1	1	1	1	1
104	117610	PACKING, o-ring	1			1		
105	25R631	BLOCK, outlet, 1/4 in.	1			1		
	25R632	BLOCK, outlet, 1/4 in.		1			1	
	25R639	BLOCK, outlet, 1/4 in.			1			1
106	113746	PACKING, o-ring	1	3	3	1	3	3
107	25R634	BEARING, 1/8 in.		1	1			
	26B982	BEARING, 3/16 in.					1	1
108	see table	TIP ASSY	1	1	1	1	1	1
109	130458	SCREW, shc, M5	4	4	4	4	4	4
111	See Air Section on page 39	AIR SECTION, NPT, 1/4 in.	1	1	1	1	1	1

NOTE: See page 47 for kit information.

Table 4: Tip Sizes for Tip Seal Valves 1/8 in. Rod Assemblies

Size	Part
0.6 mm	25B307
1.0 mm	25B308
1.3 mm	25B309
1.7 mm	25B316
2.0 mm	25T450
2.5 mm	26B660

Table 5: Tip Sizes for Tip Seal Valves 3/16 in. Rod Assemblies

Size	Part
3.0 mm	26D314
4.0 mm	26D315

Ball-Seat Dispense Valves

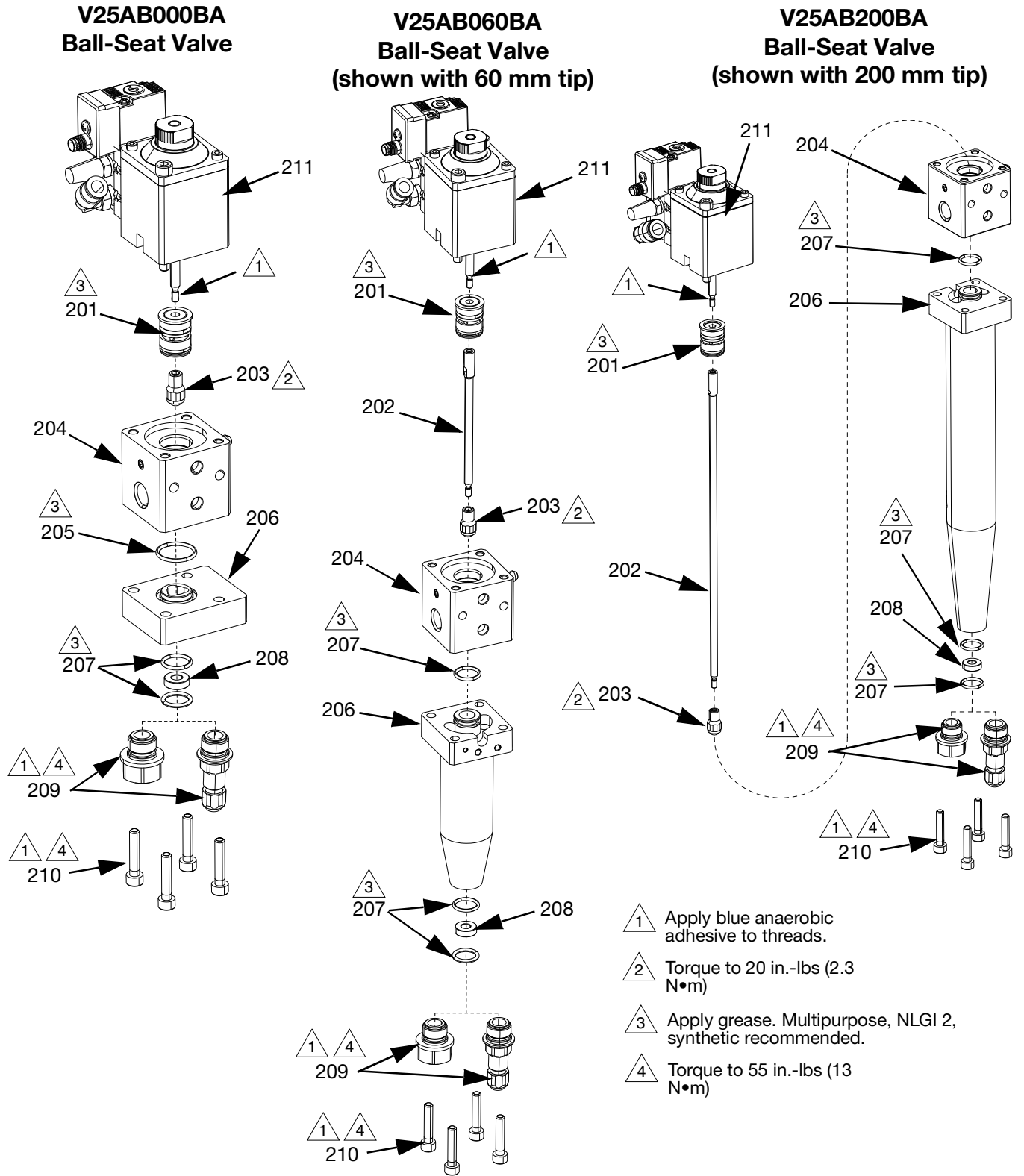


FIG. 28

Ball-Seat models

Ref.	Part	Description	Qty.				
			0 mm	60 mm	200 mm	25R843 and 25R844 5,000 psi Valves	RAC Tip Valves V25BB000BA and V25BB000DA
201	26A861	KIT, seal, 3/16 in. shaft	1	1	1	1	1
202	25R637	SHAFT, forward, tip, 1/4 in.		1			
	25R641	SHAFT, forward, tip, 1/4 in.			1		
203	26A858	BALL ASSY, crimp, 1/4 in.	1	1	1	1	1
204	26A857	HOUSING, fluid, 1/4 in., AL	1	1	1		1
205	117610	PACKING, o-ring	1			1	1
206	25R631	BLOCK, outlet, 1/4 in.	1				
	25R632	BLOCK, outlet, 1/4 in.		1			
	25R639	BLOCK, outlet, 1/4 in.			1		
	25T260	BLOCK, outlet, 1/4 in. SS				1	
	25R866	BLOCK, outlet, RAC					1
207	113746	PACKING, o-ring	2	3	3	1	1
208	185467	SEAT, valve	1	1	1	1	1
209	see table	TIP, reverse/forward	1	1	1	1	
210	130458	SCREW, shc, M5	4	4	4	4	
	136250	SCREW, shc, M5					4
211	See Air Section on page 39	AIR SECTION, NPT, 1/4 in.	1	1	1	1	1

NOTE: See page 47 for kit information.

Table 6: Tip Sizes for Ball-Seat Valves

Size	Part
1/4" npt	25R633
1.0 mm	25B308
1.3 mm	25B309
1.7 mm	25B316
2.0 mm	25T450
2.5 mm	26B660
3.0 mm	26D314
4.0 mm	26D315

Snuff-Back Seal Dispense Valves

**26B490 and 26B491
Snuff-Back Seal Valve
with 45 Degrees Tip**

**V25AS000BA
Snuff-Back Seal Valve**

**26B986
Snuff-Back Seal Valve**

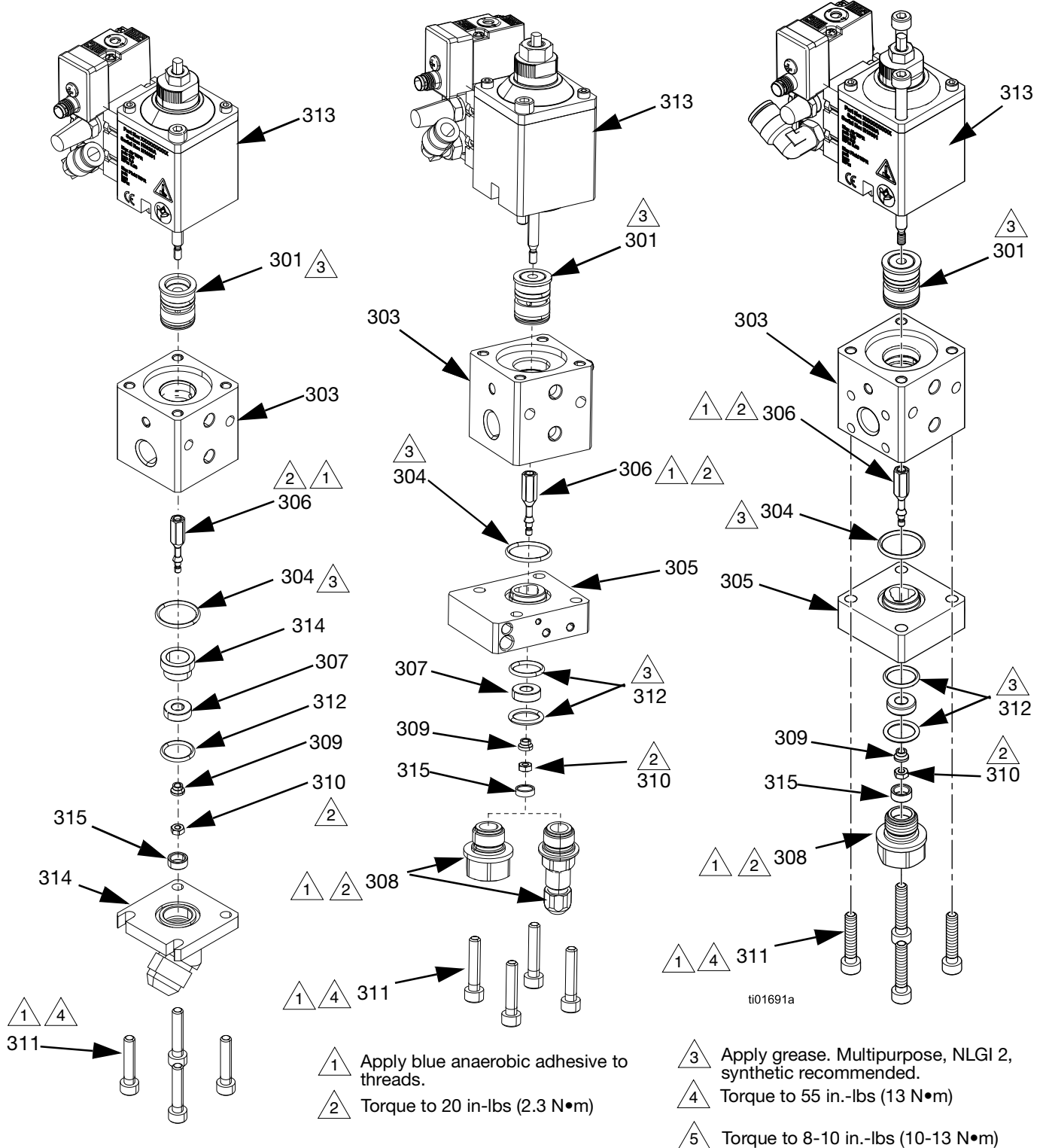


FIG. 29

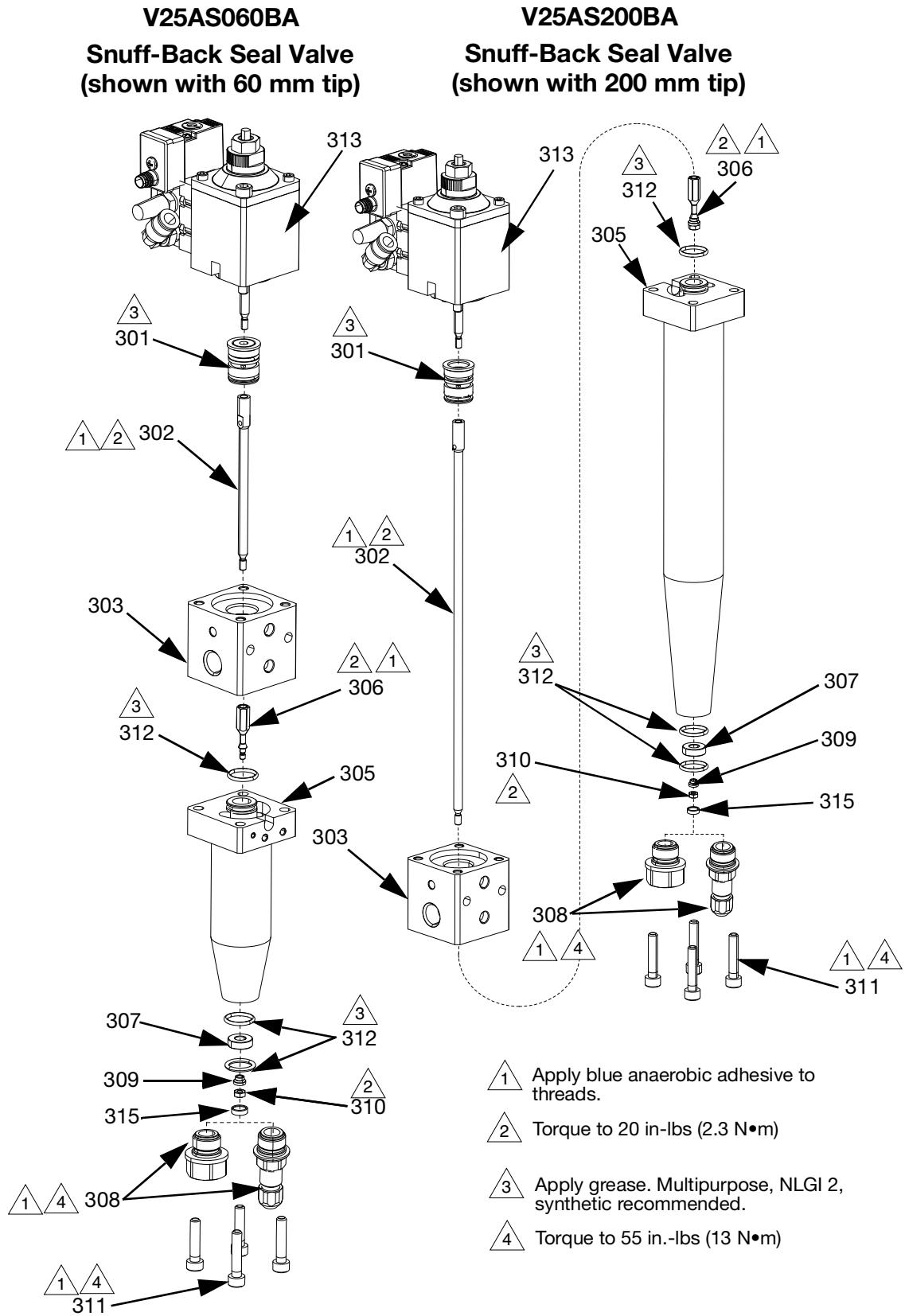


FIG. 30

Snuff-Back Seal models

Ref.	Part	Description	Qty.				
			0 mm	60 mm	200 mm	26B490 and 26B491	26B986
301	26A861	KIT, seal, 3/16 in. shaft	1	1	1	1	1
302	25R637	SHAFT, forward, tip, 1/4 in.		1			
	25R641	SHAFT, forward, tip, 1/4 in.			1		
303	26A857	HOUSING, fluid, 1/4 in., AL	1	1	1	1	
	15N050	HOUSING, fluid 1/4 in., SS, pinned					1
304	117610	PACKING, o-ring	1			1	1
305	25R631	BLOCK, outlet, 1/4 in.	1				
	25R632	BLOCK, outlet, 1/4 in.	1	1			
	25R639	BLOCK, outlet, 1/4 in.			1		
	15N051	BLOCK, outlet, 1/4 in., SS					1
306	25R638	SHAFT, reverse, 1/4 in.	1	1	1	1	1
307	185467	SEAT VALVE	1	1	1	1	1
308	see table	TIP ASSY	1	1	1		1
309	17H991	TIP, reverse, 1/4 in.	1	1	1	1	1
310	125104	NUT, hex, M3	1	1	1	1	1
311	130458	SCREW, shc, M5	4	4	4	4	4
312	113746	PACKING, o-ring	2	3	3	1	2
313	See Air Section on page 39	AIR SECTION, NPT, 1/4 in.	1	1	1	1	1
314	26B489	NOZZLE, IQ, 45 degree				1	
315	15N101	INSERT, snuff, back, valve IQ	1	1	1	1	1

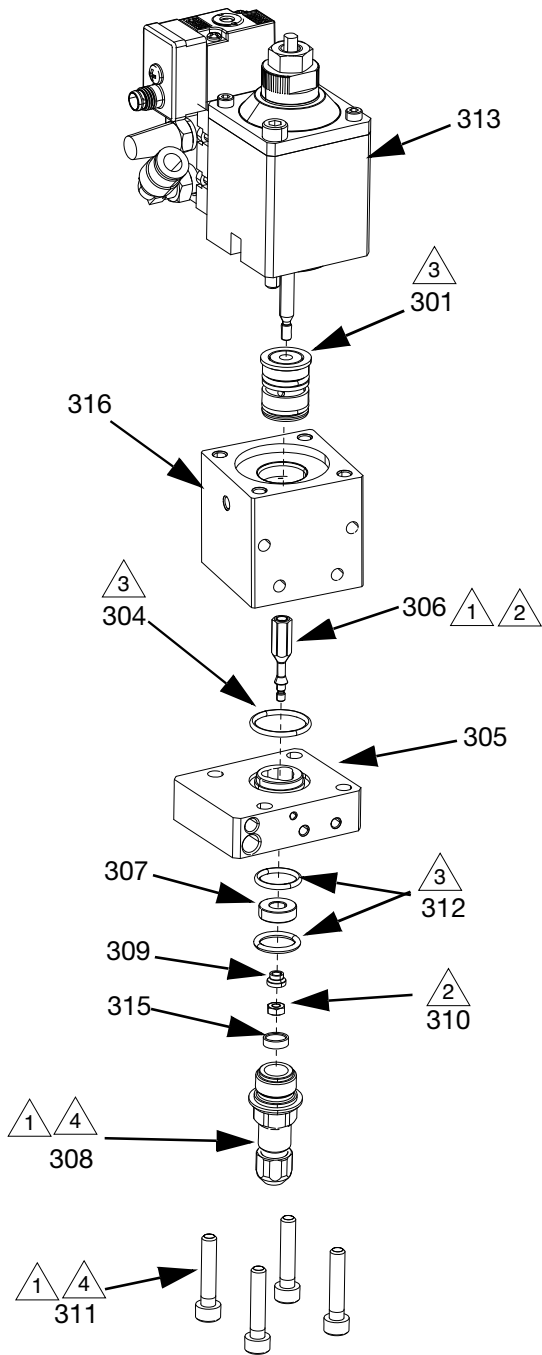
NOTE: See page 47 for kit information.

Table 7: Tip Sizes for Snuff-Back Seal Valves

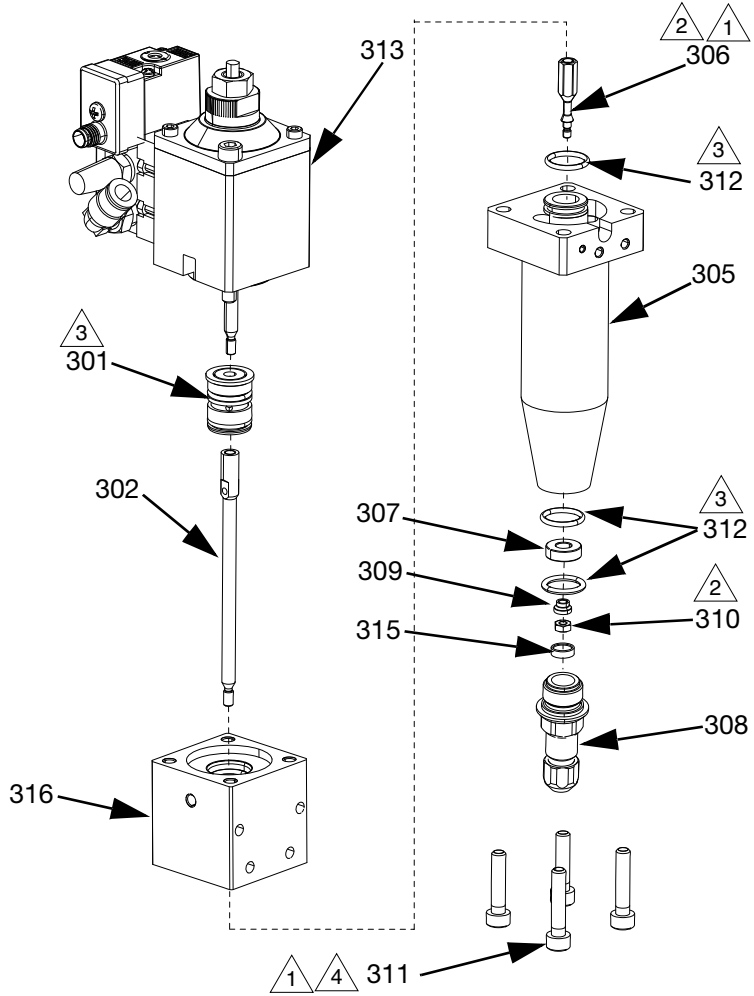
Size	Part
1/4" npt	25R633
0.6 mm	25B307
1.0 mm	25B308
1.3 mm	25B309
1.7 mm	25B316
2.0 mm	25T450
2.5 mm	26B660
3.0 mm	26D314
4.0 mm	26D315

PGM Snuff-Back Seal Dispense Valves

VGMFS000BA PGM Snuff-Back Seal



VGMFS060BA Snuff-Back Seal Valve (shown with 60 mm tip)



1 Apply blue anaerobic adhesive to threads.

2 Torque to 20 in.-lbs (2.3 N•m)

3 Apply grease. Multipurpose, NLGI 2, synthetic recommended.

4 Torque to 55 in.-lbs (13 N•m)

FIG. 31

VGMF200BA
PGM Snuff-Back Seal Valve
 (shown with 200 mm tip)

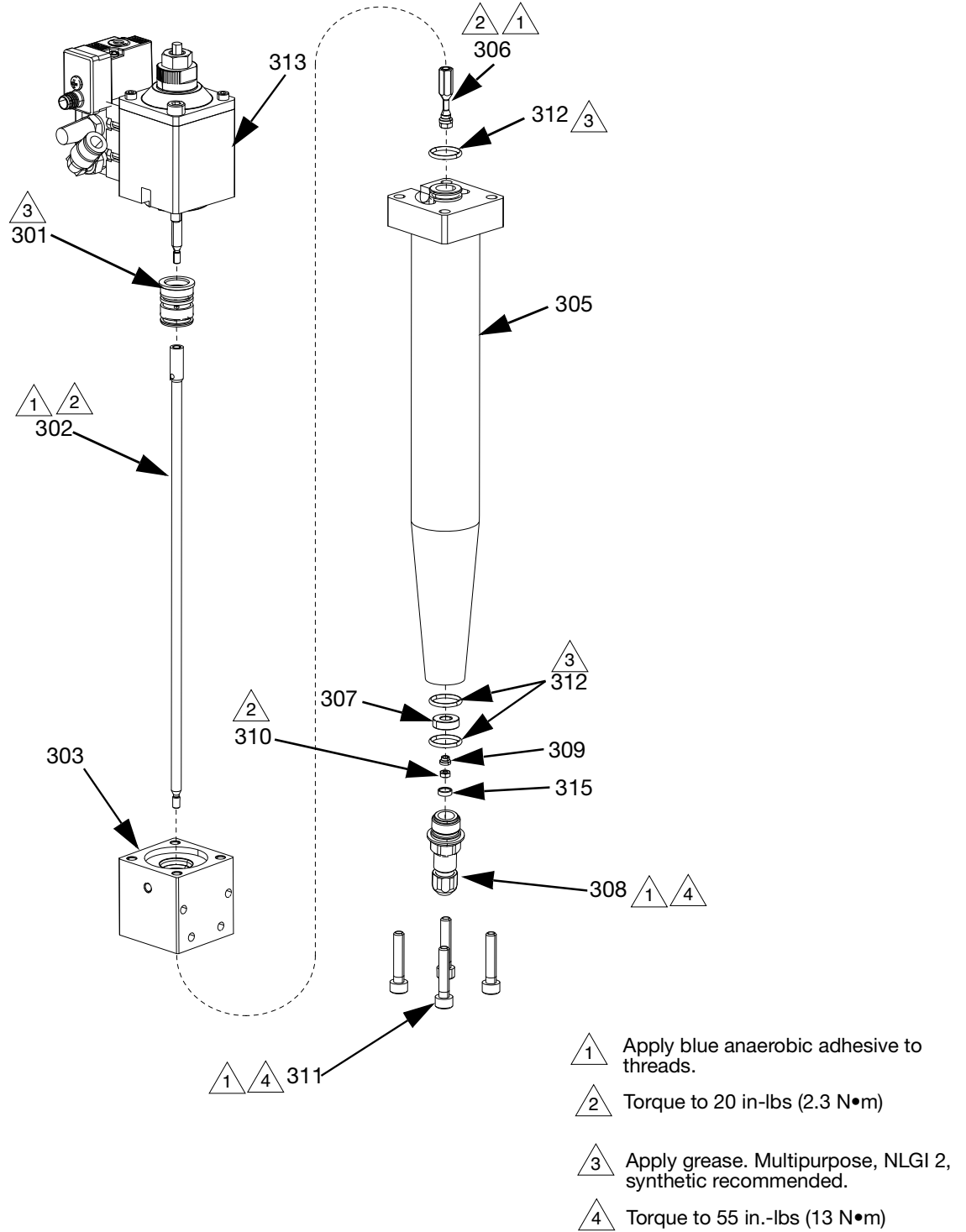


FIG. 32

PGM Snuff-Back Seal Models Parts

Ref.	Part	Description	Qty.		
			VGMFS000BA	VGMFS060BA	VGMFS200BA
301	26A861	KIT, seal, 3/16 in. shaft	1	1	1
302	25R637	SHAFT, forward, tip, 1/4 in.		1	
	25R641	SHAFT, forward, tip, 1/4 in.			1
303	26A857	HOUSING, fluid, 1/4 in., AL	1	1	1
304	117610	PACKING, o-ring	1		
305	25R631	BLOCK, outlet, 1/4 in.	1		
	25R632	BLOCK, outlet, 1/4 in.	1	1	
	25R639	BLOCK, outlet, 1/4 in.			1
306	25R638	SHAFT, reverse, 1/4 in.	1	1	1
307	185467	SEAT VALVE	1	1	1
308	see table	TIP ASSY	1	1	1
309	17H991	TIP, reverse, 1/4 in.	1	1	1
310	125104	NUT, hex, M3	1	1	1
311	130458	SCREW, shc, M5	4	4	4
312	113746	PACKING, o-ring	2	3	3
313	See Air Section on page 39	AIR SECTION, NPT, 1/4 in.	1	1	1
315	15N101	INSERT, snuff, back, valve IQ	1	1	1
316	26B976	HOUSING, PGM	1	1	1

NOTE: See page 47 for kit information.

Table 8: Tip Sizes for PGM Snuff-Back Seal Valves

Size	Part
1.3 mm	25B309

PGM Tip Seal Dispense Valves

VGMFT000BA
Tip Seal Valve

VGMFT060BA
Tip Seal Valve
(shown with 60 mm
outlet block)

VGMFT200BA
Tip Seal Valve
(shown with 200 mm
outlet block)

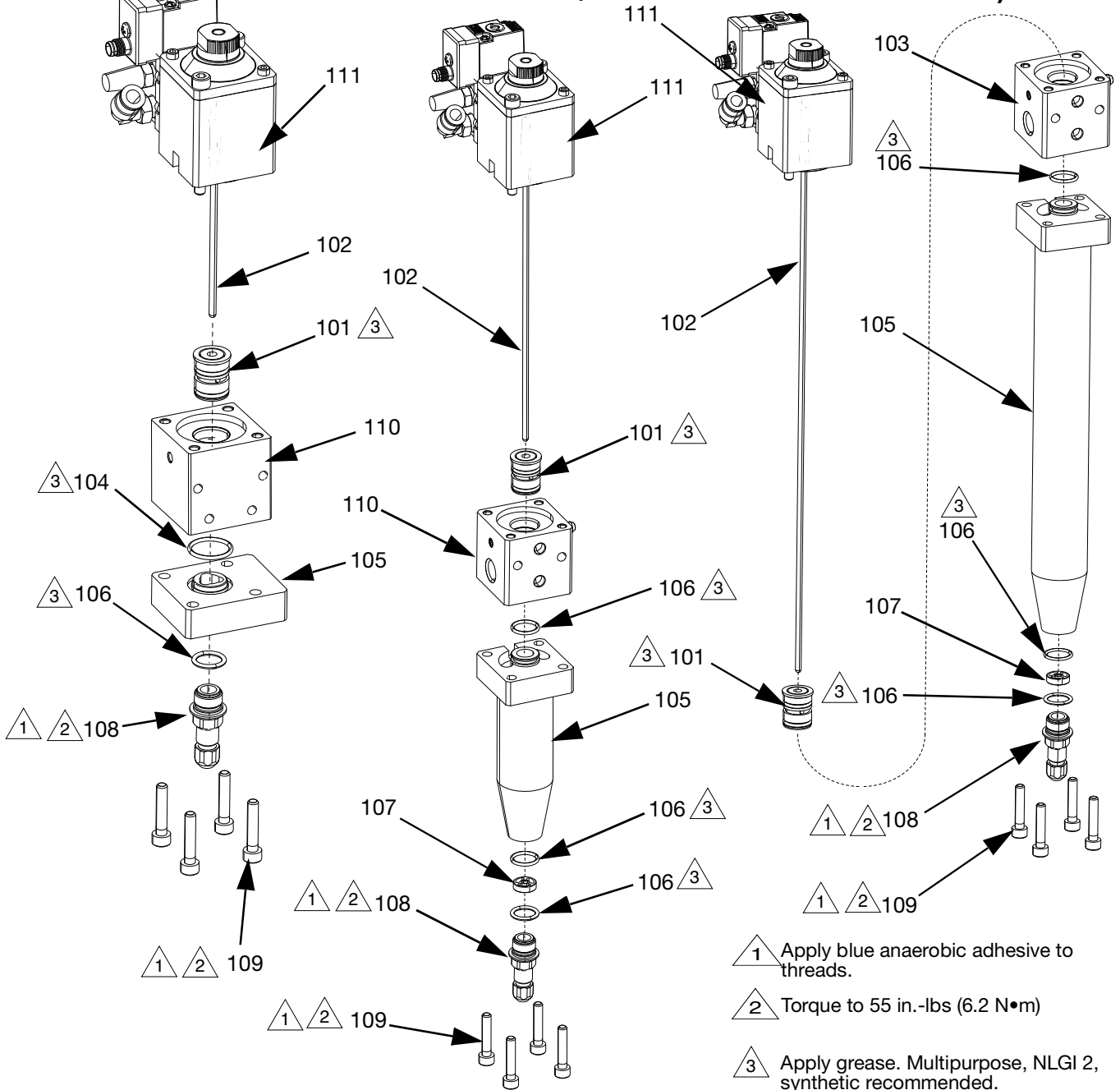


Fig. 33

PGM Tip Seal Models Parts

Ref.	Part	Description	Qty.		
			VGMFT000BA	VGMFT060BA	VGMFT200BA
101	25B302	KIT, seal, 1/8 in. shaft	1	1	1
	26A861	KIT, seal, 3/16 in. shaft			
102	26A859	ROD ASSY, tip, 1/8 in.	1		
	25B304	ROD ASSY, tip, 1/8 in.		1	
	25B125	ROD ASSY, tip, 1/8 in.			1
	26B981	ROD ASSY, tip, 3/16 in.			
	26B979	ROD ASSY, tip, 3/16 in.			
	26B980	ROD ASSY, tip, 3/16 in.			
104	117610	PACKING, o-ring	1		
105	25R631	BLOCK, outlet, 1/4 in.	1		
	25R632	BLOCK, outlet, 1/4 in.		1	
	25R639	BLOCK, outlet, 1/4 in.			1
106	113746	PACKING, o-ring	1	3	3
107	25R634	BEARING, 1/8 in.		1	1
	26B982	BEARING, 3/16 in.			
108	see table	TIP ASSY	1	1	1
109	130458	SCREW, shc, M5	4	4	4
110	26B976	HOUSING, fluid, 1/4 in., PGM			1
111	See Air Section on page 39	AIR SECTION, NPT, 1/4 in.	1	1	1

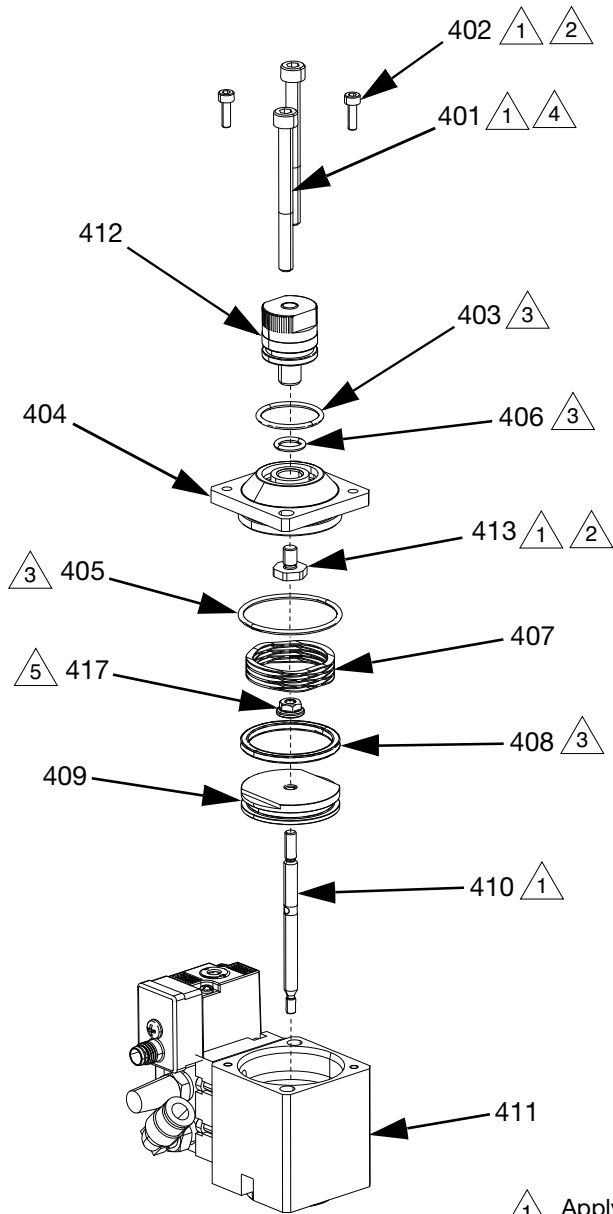
NOTE: See page 47 for kit information.

Tip Sizes for Tip Seal Valves 1/8 in. Rod Assemblies

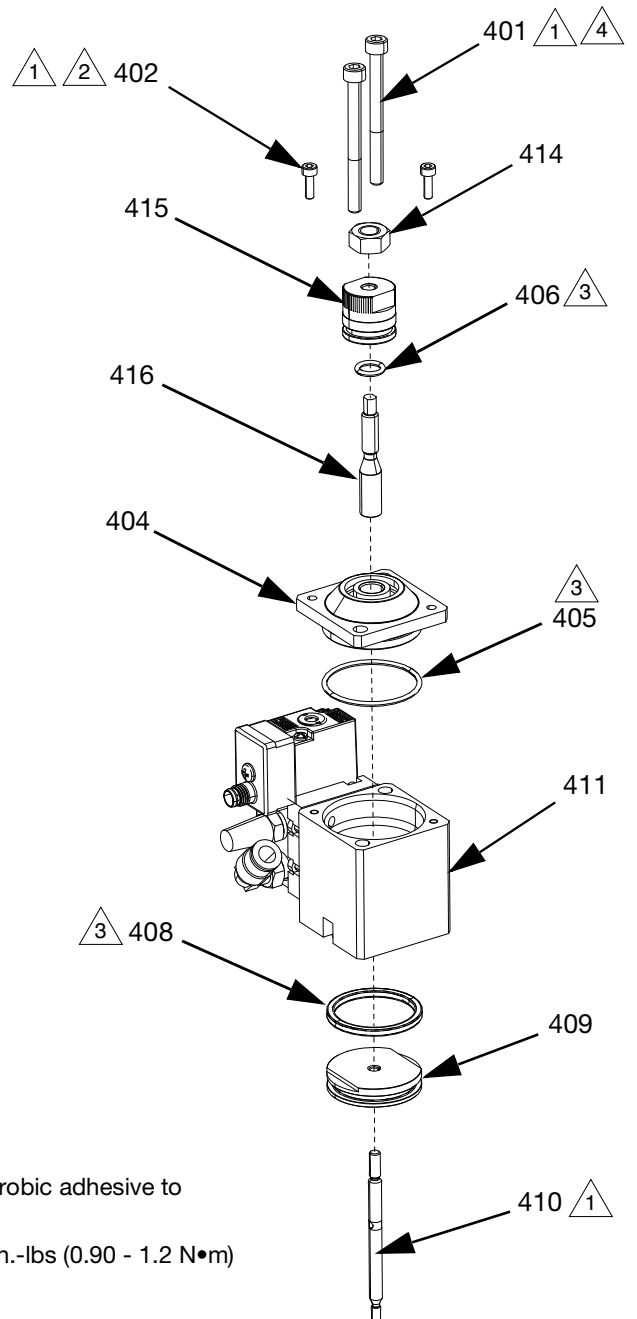
Size	Part
1.3 mm	25B309

Air Section

Spring Action with Ball-Seat or Tip Seal



Snuff-Back Seal



- △1 Apply blue anaerobic adhesive to threads.
- △2 Torque to 8-10 in.-lbs (0.90 - 1.2 N•m)
- △3 Apply grease.
- △4 Torque to 55 in.-lbs (6.2 N•m)
- △5 Torque to 24-36 in.-lbs (2.7-4.1N•m)

FIG. 34

Air Section

Ref.	Part	Description	Qty.		
			iQ-T	iQ-B	iQ-S
401	136240	SCREW, shc, M5	2	2	2
402	130181	SCREW, shc, M3	2	2	2
403	108284	PACKING, o-ring	1	1	
404	25R649	CAP, air cylinder, 1/4 in.	1	1	1
405	120818	PACKING, o-ring	1	1	1
406	154741	PACKING, o-ring	1	1	1
407	130186	SPRING, wave	1	1	
408	136246	O-RING, quad	1	1	1
409	25R645	PISTON, air cylinder, 1/4 in.	1	1	1
410	25R635	SHAFT, rev/fwd, 1/4 in.		1	1
411	26A860	KIT, air cylinder, 1/4 in.	1	1	1
412	25B031	KIT, cap, 1/4 in.	1	1	
413	18B389	STOP, adj, 1/4 in.	1	1	
414	114816	NUT, hex			1
415	25R646	KNOB, adjust, 1/4 in.			1
416	25R648	ROD, adapter, 1/4 in.			1
417	136242	NUT, flange, M4	1	1	

Tip Assembly, 1/8 in. Dia. Rods: 25B307, 25B308, 25B309, 25B316, 25T450, 26B660 3/16 in. Dia. Rods: 26D314, 26D315

NOTE: Tip assemblies 25B308, 25B309, 25B316, 25T450, and 26B660 contain Ref. numbers 501, 502, 503, and 504 fully assembled.

Tip Repair Kits

Kits contain one seat (503) and one gasket (502).

Part	Tip Size	Compatible Rod Size
26B194	0.6 mm	1/8 in.
26B195	1.0 mm	1/8 in.
26B196	1.3mm	1/8 in.
26B197	1.7mm	1/8 in.
26B198	2.0 mm	1/8 in.
26B683	2.5 mm	1/8 in.
26B983	3.0 mm	3/16 in.
26B984	4.0 mm	3/16 in.

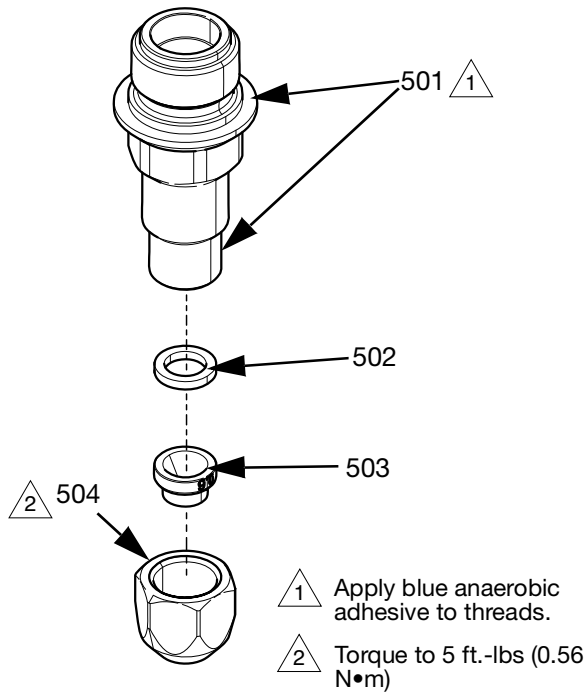


FIG. 35

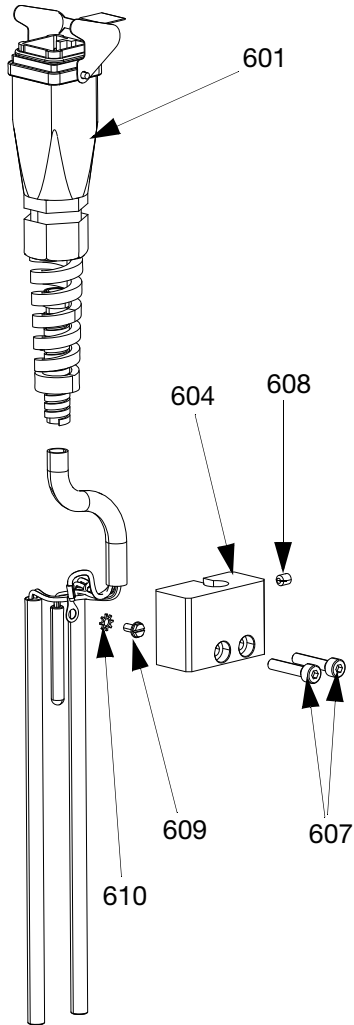
Tip Assembly Parts

Ref.	Part	Description	Qty.
501	26B190	NOZZLE, forward, tip, 1/4 in.	1
502	26B191	GASKET, nozzle, IQ valve, 5 pack	1
503	*	SEAT, tip	1
504	26B192	NUT, nozzle, IQ valve	1

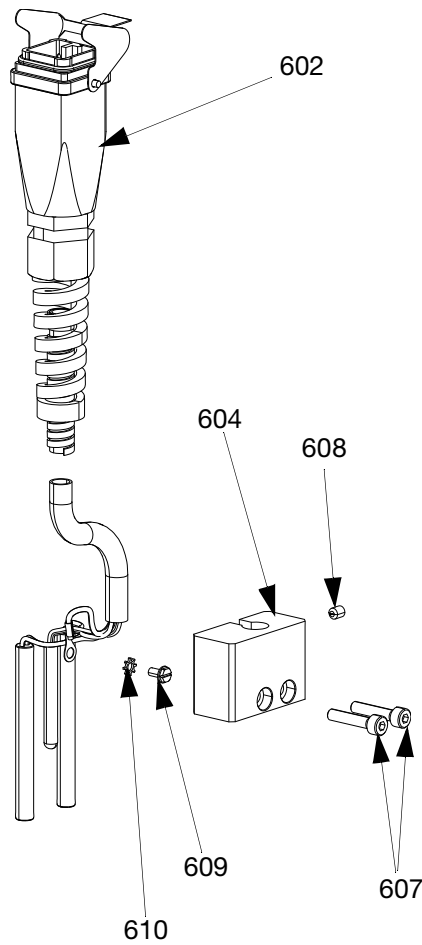
Replacement seat available in the **Tip Repair Kits**.

Heater Assembly Parts

**Heater Assembly
(for 200 mm Outlet Block)**



**Heater Assembly
(for 60 mm Outlet Block)**



**Heater Assembly
(for 0 mm Outlet Block)**

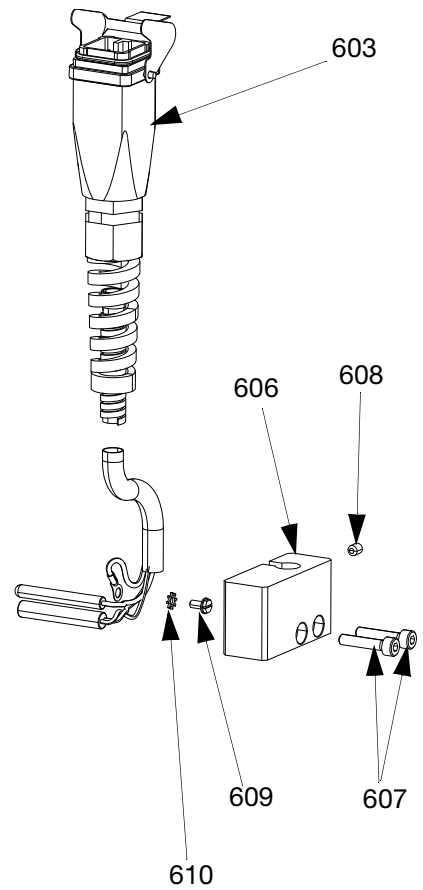
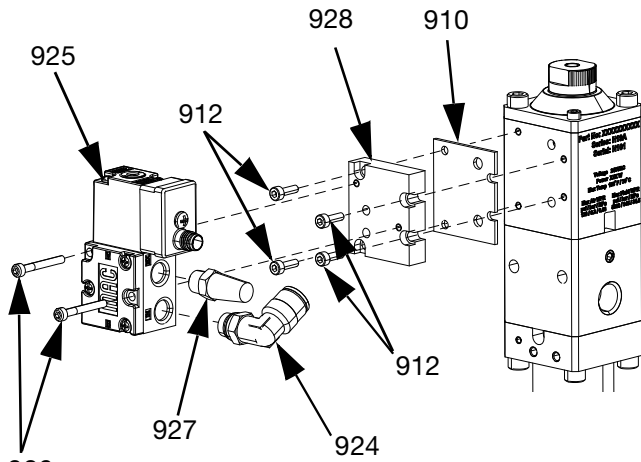


FIG. 36

Ref.	Part	Description	Qty.
601	15N030	HARNESS, heat, 200 series	1
602	15N029	HARNESS, heat, 060 series	1
603	15N028	HARNESS, heat, 000 series	1
604	15N015	COVER, heater, 1/4 in., 60 mm and 200 mm outlet block	1

Ref.	Part	Description	Qty.
606	15N017	COVER, heater, 1/4 in., 0 mm outlet block	1
607	116474	SCREW, shcs, m4 x 20	2
608	124736	SCREW, set, cup, m4 x 0.7 mm x 4 mm	1
609	112506	SCREW, ground	1
610	112505	WASHER, lock	1

Valve Mounted Solenoid



926
FIG. 37

Ref.	Part	Description	Qty.
910	130866	GASKET, solenoid, 1/4 in.	1
912	130181	SCREW, shcs	4
924	116197	FITTING, elbow, 5/16 OD x 1/8 in. NPTF (use with 5/16 in. (8 mm) OD tubing)	1
925†	25V520	SOLENOID, face mount, 24VDC, 12W	1
	2000983	SOLENOID, face mount, 24VDC, 2.4W	1
926	130182	SCREW, shcs	2
927	C06061	MUFFLER, sintered, dia 1/8 in.	1
928	---	BLOCK, solenoid	1

† Part No. 25V520 is used for models with tip valves where the fifth digit of the model No. is T. Part No. 2000983 is used for ball-seat and snuff-back valves where the fifth digit of the model No. is a B or S. See **Models** page 3.

1/4 in. NPT Valve Repair Kits

See **Maintenance** on page 17 and **Repair** on page 20 for appropriate kit installation procedures.

Kit Description	Valve Description	Kit No.	iQ-T	iQ-B	iQ-S	
Air Section Repair Kits	KIT, cap, 1/4 in., direct	25B031	✓	✓	✓	
	KIT, cylinder, air, 1/4 in.	26A860	✓	✓	✓	
Fluid Section Repair Kits	ROD, assy, tip, 1/8 in. dia x 60mm	25B304	✓			
	ROD, assy, tip, 1/8 in. dia X 200mm	25B125	✓			
	ROD, assy, tip, 1/8 in. dia	26A859	✓			
	ROD, assy, tip, 3/16 in. dia x 60mm	26B979	✓			
	ROD, assy, tip, 3/16 in. dia X 200mm	26B980	✓			
	ROD, assy, tip, 3/16 in. dia	26B981	✓			
	TIP, assy, 0.6 mm, 1/4 in.	25B307	✓	✓	✓	
	TIP, assy, 1.0 mm, 1/4 in.	25B308	✓	✓	✓	
	TIP, assy, 1.3 mm, 1/4 in.	25B309	✓	✓	✓	
	TIP, assy, 1.7 mm, 1/4 in.	25B316	✓	✓	✓	
	TIP, assy, 2.0 mm, 1/4 in.	25T450	✓	✓	✓	
	TIP, assy, 2.5 mm, 1/4 in.	26B660	✓	✓	✓	
	TIP, assy, 3.0 mm, 1/4 in.	26D314	✓	✓	✓	
	TIP, assy, 4.0 mm, 1/4 in.	26D315	✓	✓	✓	
	KIT, block, fluid, 1/4 in. aluminum	26A857	✓	✓	✓	
	KIT, seat, tip, 0.6 mm, 1/4 in.	26B194	✓	✓	✓	
	KIT, seat, tip, 1.0 mm, 1/4 in.	26B195	✓	✓	✓	
	KIT, seat, tip, 1.3 mm, 1/4 in.	26B196	✓	✓	✓	
	KIT, seat, tip, 1.7 mm, 1/4 in.	26B197	✓	✓	✓	
	KIT, seat, tip, 2.0 mm, 1/4 in.	26B198	✓	✓	✓	
	KIT, seat, Tip, 2.5 mm, 1/4 in.	26B683	✓	✓	✓	
	KIT, seat, tip, 3.0 mm, 1/4 in.	26B983	✓			
	KIT, seat, Tip, 4.0 mm, 1/4 in.	26B984	✓			
	BLOCK, outlet, 1/4 in. SS	25T260			✓	
	BLOCK, outlet, RAC	25R866			✓	
	GASKET, nozzle, iQ valve, 5 pack	26B191	✓	✓	✓	
	NUT, nozzle, iQ valve	26B192	✓	✓	✓	
	KIT, o-ring, 10 pack	26B214	✓	✓	✓	
	NOZZLE, forward, tip, 1/4 in.	26B190	✓	✓	✓	
	Carbide Wear Items	BALL, assy, crimp, 1/4in.	26A858		✓	
		KIT, seal, 1/8 in. shaft, 1/4 in. shaft	25B302	✓		
		KIT, seal, 3/16 in. shaft, 1/4 in. shaft	26A861	✓	✓	✓

Accessories

Before installing any accessories, follow steps 1 through 3 from **Repair** on page 20.

Pressure Transducer Adapter, 25R640

4000 psi (28 MPa, 276 bar) Maximum Working Pressure. 1/4 in. NPT male fitting to thread into additional inlet port. Use with 15M669 Pressure Transducer.

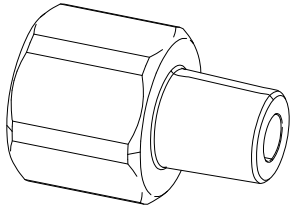


FIG. 38

Heat Block Spacer, 25R642

Use with heated valves to isolate heat.

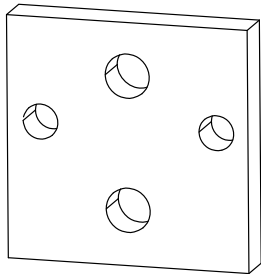
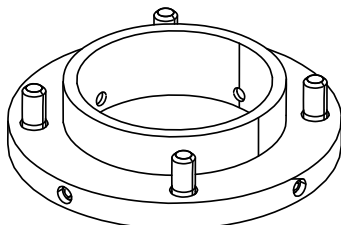


FIG. 39

Vision Adapter Kit, 25R650

Use with a Coherix Predator 3D vision system.



Seal Assembly Tool, 25R643

Use when rebuilding valve seal sections.

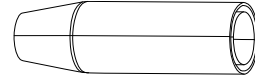


FIG. 40

Seal Installation Tool, 25R644

Use when rebuilding valve seal sections for ball-seat and snuff-back valves.

NOTE: Use mineral oil to lubricate the valve shaft before installing the seal cartridge assembly.

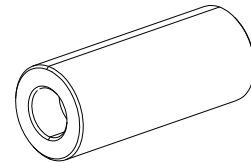


FIG. 41

Swivel Fitting, 130995

5000 psi (34.5 MPa, 345 bar) Maximum Working Pressure. 90° swivel fitting with two 1/2 in. NPT female threads.

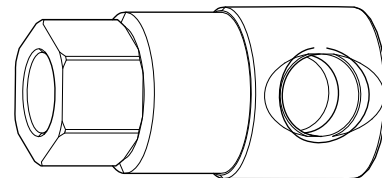


FIG. 42

Remote Solenoid Kit, 25R668

120 psi (0.83 MPa, 8.3 bar) Maximum Working Pressure

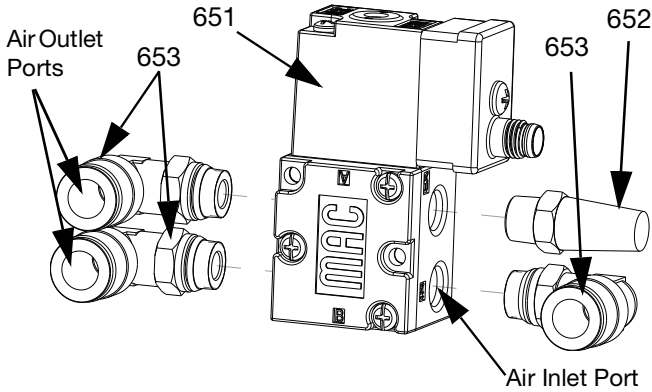


FIG. 43

Ref.	Part	Description	Qty.
651	25V521	SOLENOID, 1/8 in. NPT, 24VDC, 12W	1
652	C06061	MUFFLER, sintered, dia 1/8 in.	1
653	116197	FITTING, elbow, 5/16 in. OD x 1/8 in. NPTF (use with 5/16 in. (8 mm) OD tubing)	3

Inlet Port Size	Outlet Port Size	Electrical Connector Style	Voltage	Solenoid Power
1/8 in. NPT(f)	1/8 in. NPT(f)	M8 2-pin male	24 VDC	12W

Grease Zerk Fitting, 130883 Grease Plug, 136249

For applications dispensing moisture sensitive materials, install the Grease Zerk Fitting (M) into the Fluid Section (E), fill the grease port with grease, and install the Grease Plug (L).

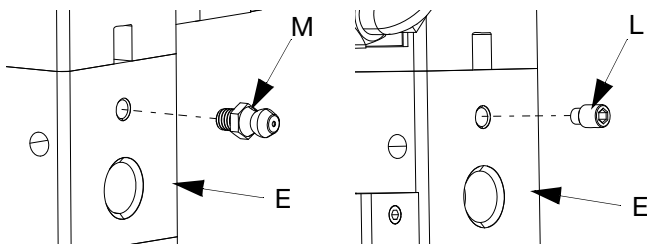


FIG. 44

Solenoid Valve Actuation Cable, 25R781

M8-4 pin male straight connector x M8-4 pin female 90° connector, 15.7 in. (0.4 m) cable length.

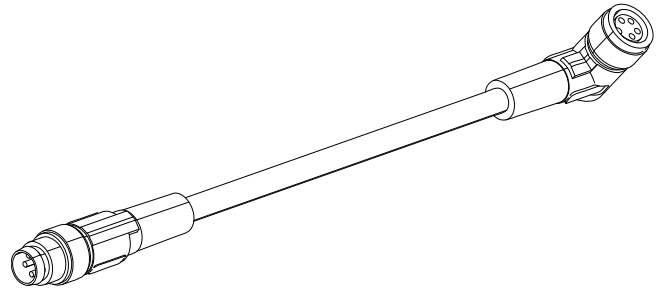


FIG. 45

Solenoid Valve Actuation Cable, 25R799

Accessory cable used to actuate the valve when the valve is connected to customer supplied controls.

M8 - 4 pin female 90° connector x free leads, 393 in. (10.0 m) cable length.

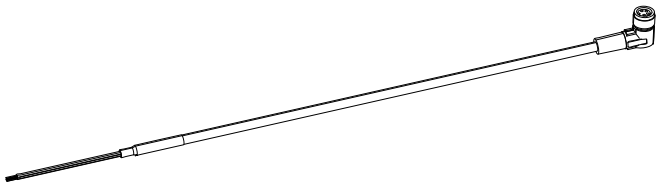


FIG. 46

PCF Crossover Cable, 25T263

Crossover cable to allow communication between a Graco PCF and iQ Valve. M12 male straight 5 pin connector, M8 female angled 4 pin connector. 0.4 m cable length.

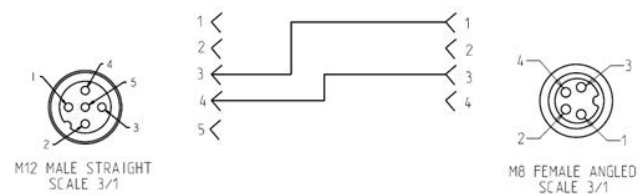


FIG. 47

Seal Kit Elite, 25B589

Use with ball-seat (iQ-B) and snuff-back (iQ-S) valves.

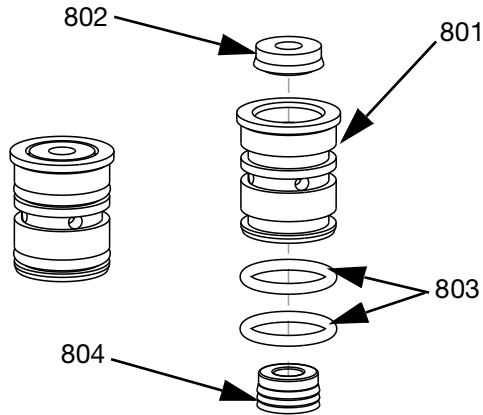


FIG. 48

Ref.	Part	Description	Qty.
801	---	CARTRIDGE, seal, 3/16 in. shaft	1
802	95/0884/11	SEAL, pospk	1
803	---	PACKING, o-ring	2
804	---	SEAL, 3/16 in., green	1

Seal Kit Elite, 25B588

Use with tip seal (iQ-T) valves.

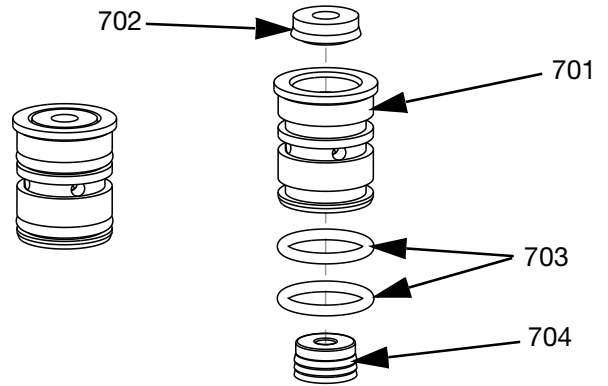


FIG. 49

Ref.	Part	Description	Qty.
701	---	CARTRIDGE, seal, 1/8 in. shaft	1
702	95/0884/11	SEAL, pospk	1
703	---	PACKING, o-ring	2
704	---	SEAL, 1/8 in., green	1

Pressure Transducer, 15M669

Use to monitor the fluid outlet pressure in the valve. Requires a pressure transducer adapter for 1/4 in. valves.

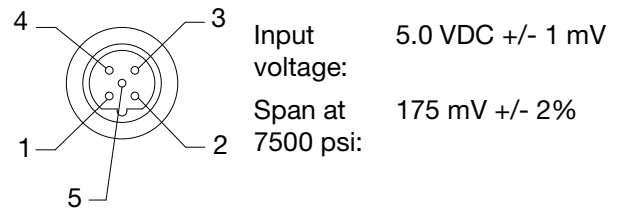


FIG. 50

M12 Pinout Details	
Pin	Description
1	+ Excitation (5 VDC)
2	- Signal
3	- Excitation (COM)
4	+ Signal
5	Shield Drain

PGM, Valve Kit, 26B977

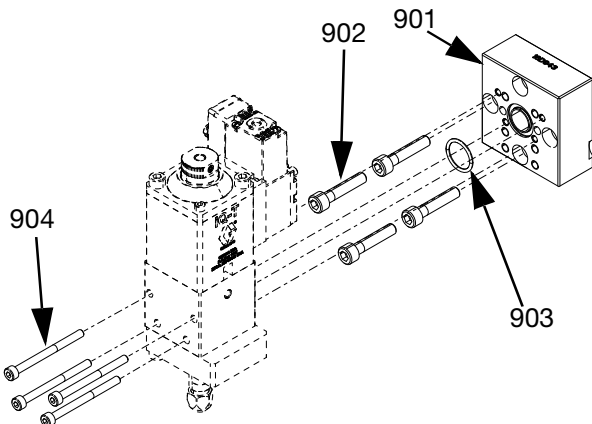
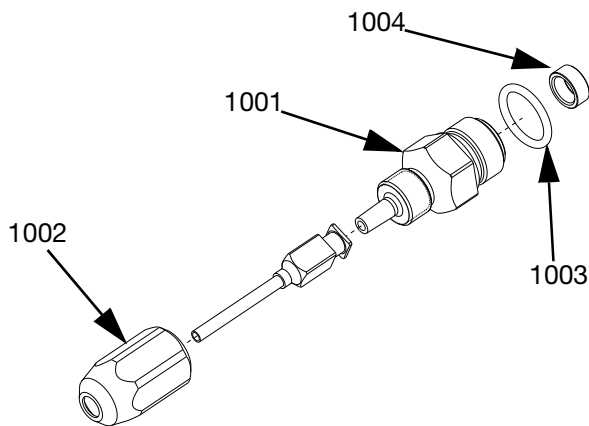


FIG. 51

Ref.	Part	Description	Qty.
901	16D943	BLOCK, MTG, PGM	1
902	124200	SCREW, M6 x 30	4
903	116768	O-Ring	1
904	133641	SCREW, M4 x 50	1

Luer Fixed Adapter Kit, 2005723



Ref.	Part	Description	Qty.
1001	2005721	ADAPTER, luer	1
1002	2005722	NUT, valve, luer	1
1003	113746	O-Ring	1
1004	15N101	INSERT. snuff back	1

Tip Seal Blank, Kit, 26B804

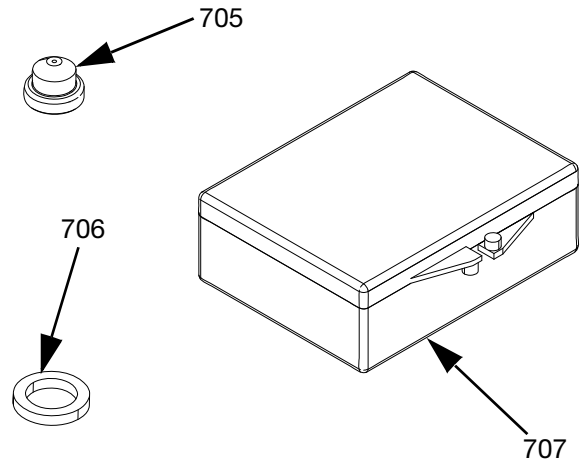


FIG. 52

Ref.	Part	Description	Qty.
705	15N334	SEAT, tip, blank	1
706	15N054	GASKET, nozzle	1
707	130480	BOX, hinged	1

Needle Kits, 10 pk

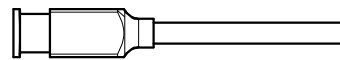
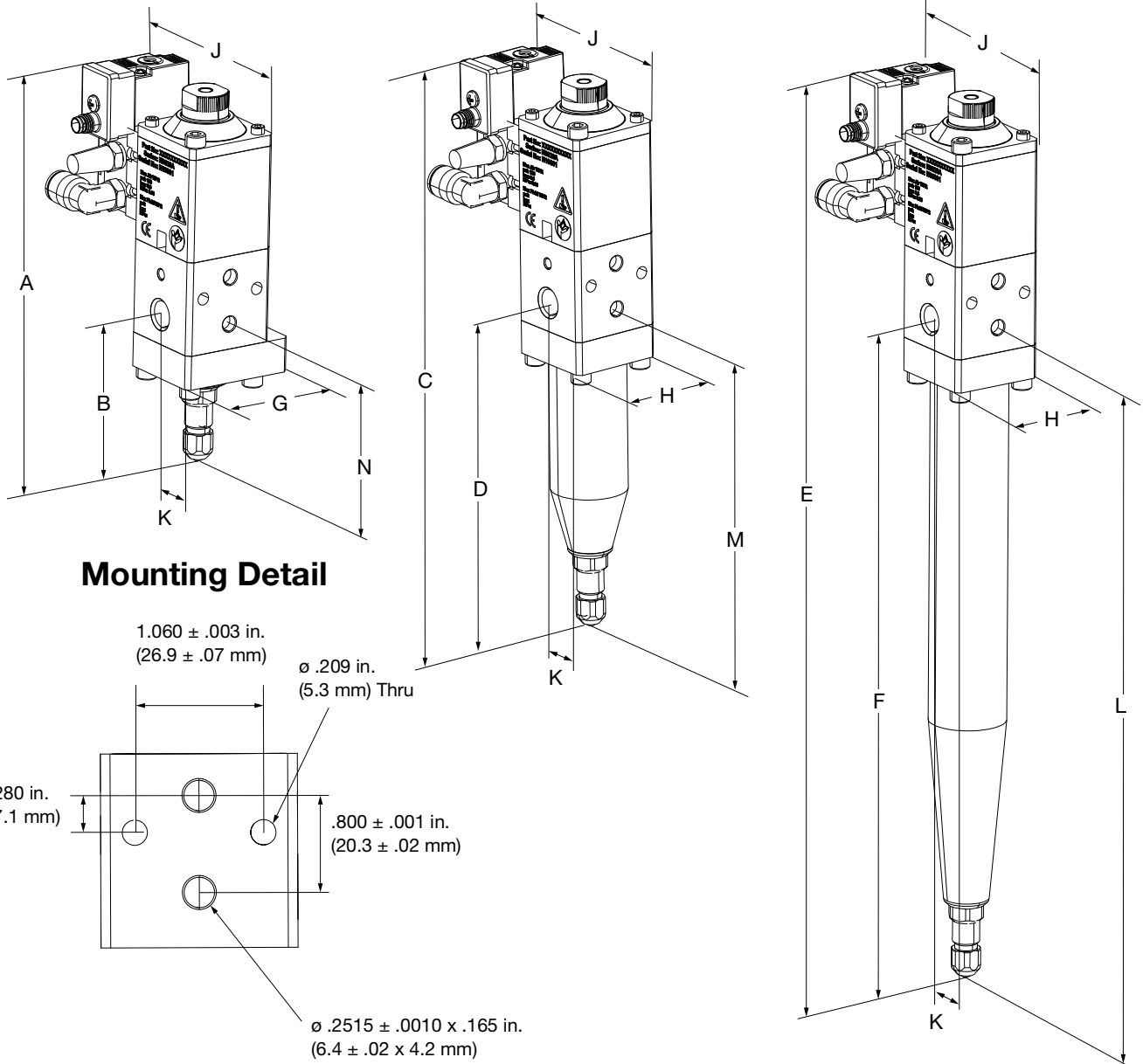


FIG. 53

Ref.	Part	Description	Qty.
1101	26D538	KIT, needle, 10 ga x 2 in.	10
1102	26D539	KIT, needle, 12 ga x 2 in	10
1103	26D540	KIT, needle, 14 ga x 2 in	10

Dimensions and Mounting

Table 9: Tip Seal Dispense Valve

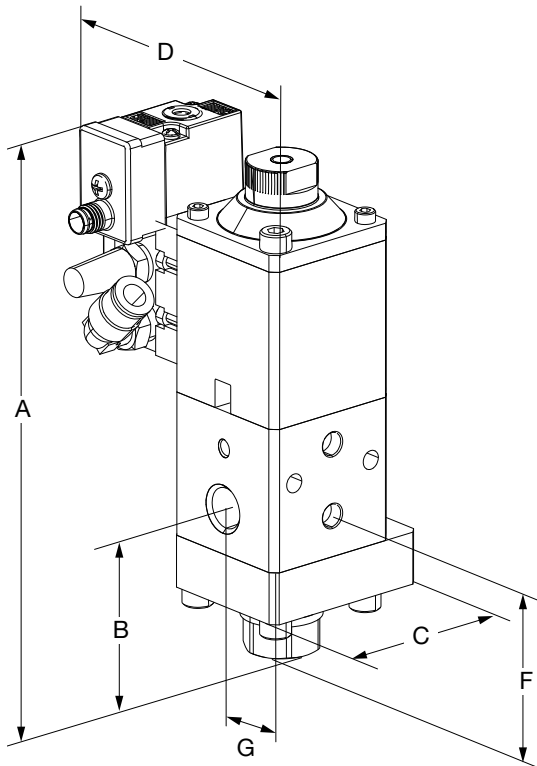


Ref.	Dimension
A	6.4 in. (163 mm)
B	3.1 in. (79 mm)
C	9.6 in. (244 mm)
D	6.3 in. (160 mm)
E	15.3 in. (389 mm)
F	11.9 in. (302 mm)
G	2.0 in. (51 mm)

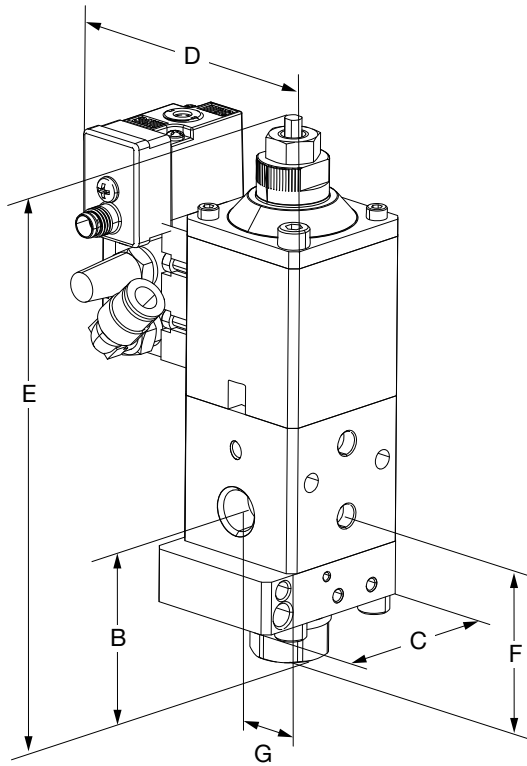
Ref.	Dimension
H	1.6 in. (41 mm)
J	3.0 in. (76 mm)
K	0.8 in. (20 mm)
L	11.5 in. (292 mm)
M	5.8 in. (147 mm)
N	2.6 in. (66 mm)

Ball-Seat and Snuff-Back Dispense Valves

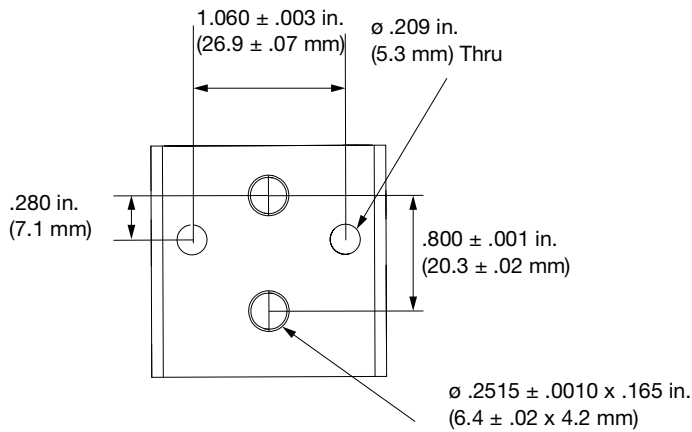
Ball-Seat



Snuff-Back



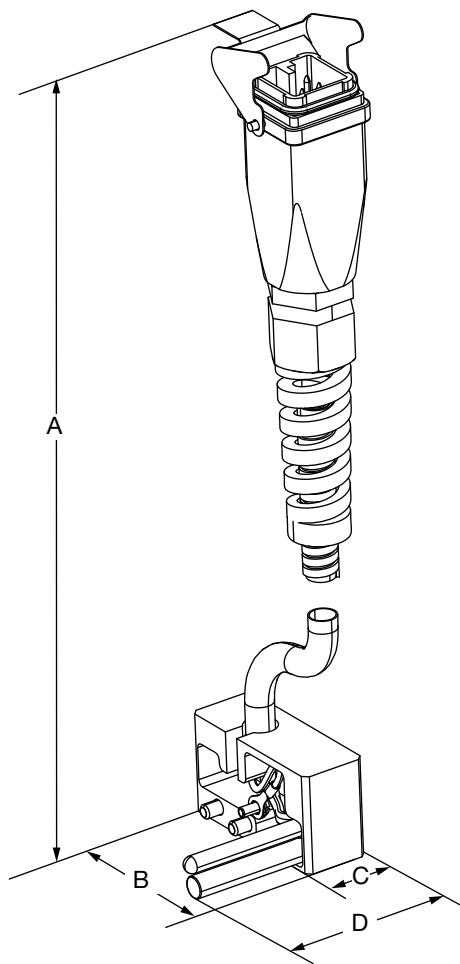
Mounting Detail



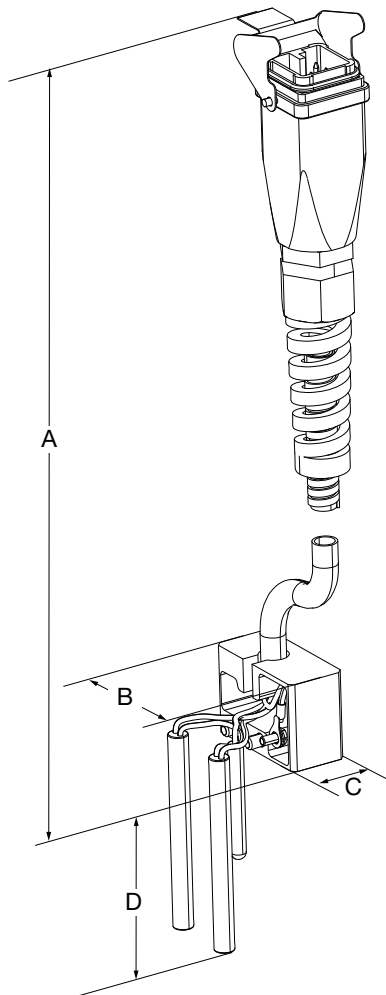
Ref.	Dimension
A	5.5 in. (140 mm)
B	1.7 in. (43 mm)
C	2.0 in. (51 mm)
D	3.0 in. (76 mm)
E	5.9 in. (150 mm)
F	1.7 in. (43 mm)
G	0.8 in. (20 mm)

Heat Assembly

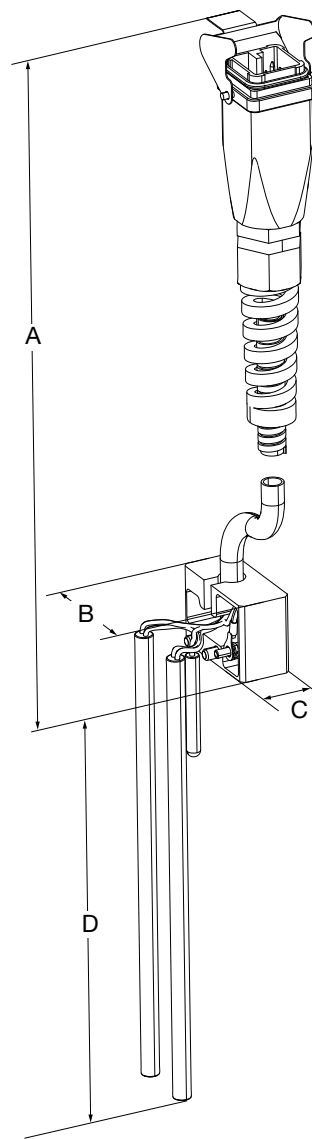
For 0 mm Outlet Block



For 60 mm Outlet Block



For 200 mm Outlet Block

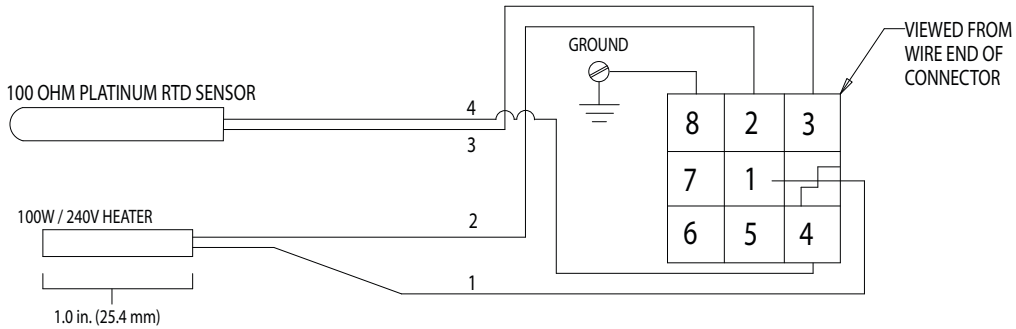


Ref.	Dimension		
	0 mm Outlet Block	60 mm Outlet Block	200 mm Outlet Block
A	21.75 in. (553 mm)	21.75 in. (553 mm)	21.75 in. (553 mm)
B	2.0 in. (51 mm)	1.63 in. (41 mm)	1.63 in. (41 mm)
C	0.75 in. (19 mm)	0.75 in. (19 mm)	0.75 in. (19 mm)
D	2.13 in. (54 mm)	2.21 in. (56 mm)	6.07 in. (154 mm)

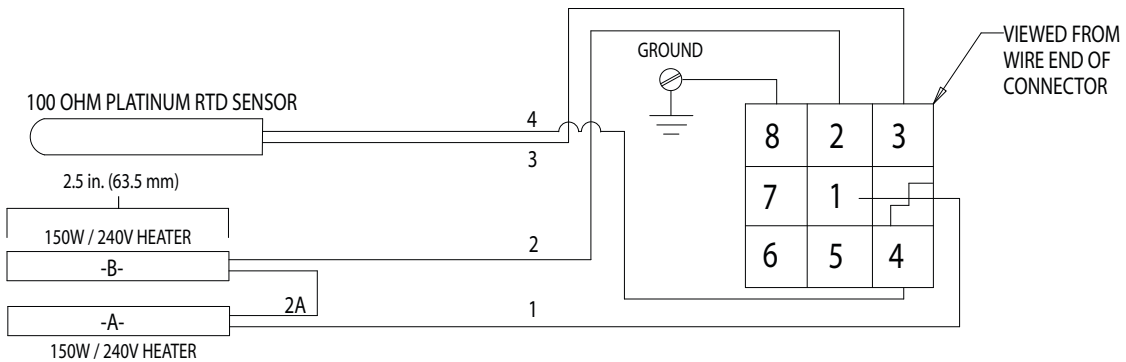
Wiring Diagrams

Electric Housing Wiring Diagram

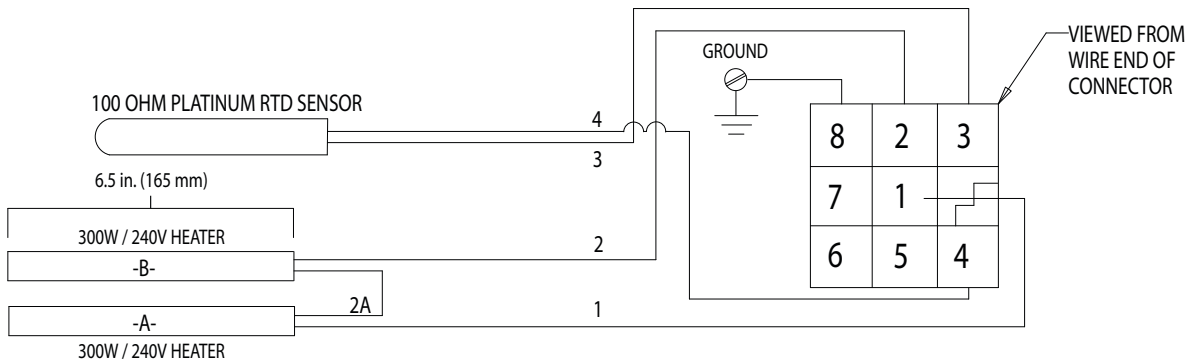
000 Heater (240V, 100W)



060 Heater (240V, 75W)



200 Heater (240V, 150W)



Technical Specifications

iQ-B, iQ-S and iQ-T Valves		
	US	Metric
Maximum fluid working pressure	4000 psi	28 MPa, 276 bar
Maximum cylinder air pressure	120 psi	0.83 MPa, 8.3 bar
Maximum fluid operating temperature	158°F	70°C
Fluid section sealing	Isolation chamber with dual seals	
Divorced air cylinder	Double acting, buna-n o-rings	
Valve Mounted Solenoid		
Inlet and exhaust port size	1/8 in. NPT(f)	
Outlet port size	O-ring seal	
Electrical connector style	M8 2-pin male	
Voltage	24 VDC	
Solenoid power	12W	
Sound Data		
Normal operation (dispensing)	< 70 dBA	
Inlet/Outlet Sizes		
Air inlet size	1/8 in. NPT(f)	
Air exhaust port size	1/8 in. NPT(f)	
Fluid inlet size	1/4 in. NPT(f)	
Fluid outlet size	See Models on page 3 for tip sizes.	
Materials of Construction		
Wetted materials on iQ-B models	Aluminum, UHMWPE, 17-4 SST, PEEK, Chemical Resistant o-rings, Silicon Nitride, CA 360 BRASS, Coated tool steel, and C2 carbide with cobalt binder.	
Wetted materials on iQ-S models	Aluminum, UHMWPE, 316 SST, 17-4 SST, PEEK, Chemical Resistant o-rings, CA 360 BRASS, Coated tool steel, and C2 carbide with cobalt binder.	
Wetted materials on iQ-T models	Aluminum, UHMWPE, 17-4 SST, PEEK, Chemical Resistant o-rings, CA 360 BRASS, Coated Tool Steel, and C2 carbide with cobalt binder.	

Weight				
Outlet Block Length	Ambient, Remote Mount Solenoid	Heated, Remote Mount Solenoid	Ambient, Direct Mount Solenoid	Heated, Direct Mount Solenoid
0 mm	1.8 lb (0.8 kg)	2.1 lb (1.0 kg)	2.1 lb (1.0 kg)	2.5 lb (1.1 kg)
60 mm	2.0 lb (0.9 kg)	2.4 lb (1.1 kg)	2.4 lb (1.1 kg)	2.8 lb (1.3 kg)
200 mm	2.6 lb (1.2 kg)	3.1 lb (1.4 kg)	3.1 lb (1.4 kg)	3.5 lb (1.6 kg)

Electrical Specifications				
Outlet Block Length	Voltage	Wattage	RTD Sensor Resistance (Ohms), Pins 3 & 4	Heater Cartridge Resistance (Ohms), Pins 1 & 2
0 mm	240 VAC	100W	100 Ohm Platinum RTD, 108.2 Ohms @ 20°C (70°F)	576
60 mm		75W		786
200 mm		150W		384

California Proposition 65

CALIFORNIA RESIDENTS

 **WARNING:** Cancer and reproductive harm – www.P65warnings.ca.gov.

Graco Standard Warranty

Graco warrants all equipment referenced in this document which is manufactured by Graco and bearing its name to be free from defects in material and workmanship on the date of sale to the original purchaser for use. With the exception of any special, extended, or limited warranty published by Graco, Graco will, for a period of twelve months from the date of sale, repair or replace any part of the equipment determined by Graco to be defective. This warranty applies only when the equipment is installed, operated and maintained in accordance with Graco's written recommendations.

This warranty does not cover, and Graco shall not be liable for general wear and tear, or any malfunction, damage or wear caused by faulty installation, misapplication, abrasion, corrosion, inadequate or improper maintenance, negligence, accident, tampering, or substitution of non-Graco component parts. Nor shall Graco be liable for malfunction, damage or wear caused by the incompatibility of Graco equipment with structures, accessories, equipment or materials not supplied by Graco, or the improper design, manufacture, installation, operation or maintenance of structures, accessories, equipment or materials not supplied by Graco.

This warranty is conditioned upon the prepaid return of the equipment claimed to be defective to an authorized Graco distributor for verification of the claimed defect. If the claimed defect is verified, Graco will repair or replace free of charge any defective parts. The equipment will be returned to the original purchaser transportation prepaid. If inspection of the equipment does not disclose any defect in material or workmanship, repairs will be made at a reasonable charge, which charges may include the costs of parts, labor, and transportation.

THIS WARRANTY IS EXCLUSIVE, AND IS IN LIEU OF ANY OTHER WARRANTIES, EXPRESS OR IMPLIED, INCLUDING BUT NOT LIMITED TO WARRANTY OF MERCHANTABILITY OR WARRANTY OF FITNESS FOR A PARTICULAR PURPOSE.

Graco's sole obligation and buyer's sole remedy for any breach of warranty shall be as set forth above. The buyer agrees that no other remedy (including, but not limited to, incidental or consequential damages for lost profits, lost sales, injury to person or property, or any other incidental or consequential loss) shall be available. Any action for breach of warranty must be brought within two (2) years of the date of sale.

GRACO MAKES NO WARRANTY, AND DISCLAIMS ALL IMPLIED WARRANTIES OF MERCHANTABILITY AND FITNESS FOR A PARTICULAR PURPOSE, IN CONNECTION WITH ACCESSORIES, EQUIPMENT, MATERIALS OR COMPONENTS SOLD BUT NOT MANUFACTURED BY GRACO. These items sold, but not manufactured by Graco (such as electric motors, switches, hose, etc.), are subject to the warranty, if any, of their manufacturer. Graco will provide purchaser with reasonable assistance in making any claim for breach of these warranties.

In no event will Graco be liable for indirect, incidental, special or consequential damages resulting from Graco supplying equipment hereunder, or the furnishing, performance, or use of any products or other goods sold hereto, whether due to a breach of contract, breach of warranty, the negligence of Graco, or otherwise.

FOR GRACO CANADA CUSTOMERS

The Parties acknowledge that they have required that the present document, as well as all documents, notices and legal proceedings entered into, given or instituted pursuant hereto or relating directly or indirectly hereto, be drawn up in English. Les parties reconnaissent avoir convenu que la rédaction du présente document sera en Anglais, ainsi que tous documents, avis et procédures judiciaires exécutés, donnés ou intentés, à la suite de ou en rapport, directement ou indirectement, avec les procédures concernées.

Graco Information

Sealant and Adhesive Dispensing Equipment

For the latest information about Graco products, visit www.graco.com.

For patent information, see www.graco.com/patents.

TO PLACE AN ORDER, contact your Graco distributor, go to www.graco.com, or call to identify the nearest distributor.

If calling from the USA: 1-800-746-1334

If calling from outside the USA: 0-1-330-966-3000

All written and visual data contained in this document reflects the latest product information available at the time of publication. Graco reserves the right to make changes at any time without notice.

Original instructions. This manual contains English. MM 333585

Graco Headquarters: Minneapolis

International Offices: Belgium, China, Japan, Korea

GRACO INC. AND SUBSIDIARIES • P.O. BOX 1441 • MINNEAPOLIS MN 55440-1441 • USA
Copyright 2021, Graco Inc. All Graco manufacturing locations are registered to ISO 9001.

www.graco.com
Revision P, June 2024