



XP and XM Series Sprayers

Plural Component Sprayers for Industrial
Coatings Applications

PROVEN QUALITY. LEADING TECHNOLOGY.

Discover the benefits of Graco's XP and XM line of sprayers when you switch from hand-mixing to a plural component machine.



Reduce waste and material costs

With the Graco XP and XM sprayers, you reduce waste and save money because you only mix as much material as you need. No more throwing away unused material at the end of the day. No more residue left over in smaller pails or cans. You can buy material in bulk as well.



Less clean-up saves time and money

Only the parts that come in contact with mixed material must be cleaned during the job. Instead of flushing out an entire pump system that contains mixed material, you only need to flush the static mix tube and hose to the gun. Reduced cleaning time means you save labor costs and increase uptime.

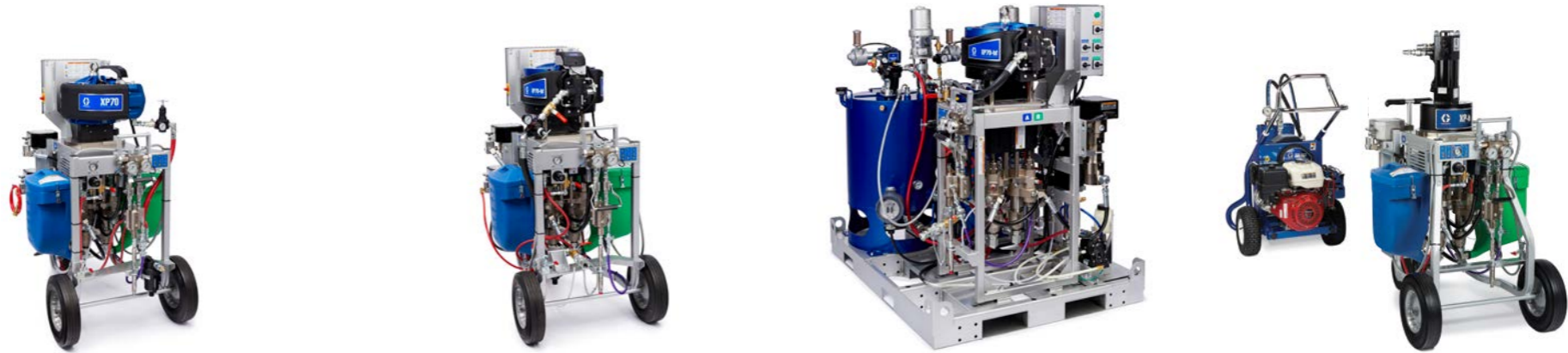


Provides consistent material quality

No more guesswork or human error in measuring means you can improve throughput, cut back on material waste, and reduce rework. Materials are proportioned by precision positive displacement pumps and mixed accurately and on-ratio at the mix manifold.

► Which XP is Right For You?

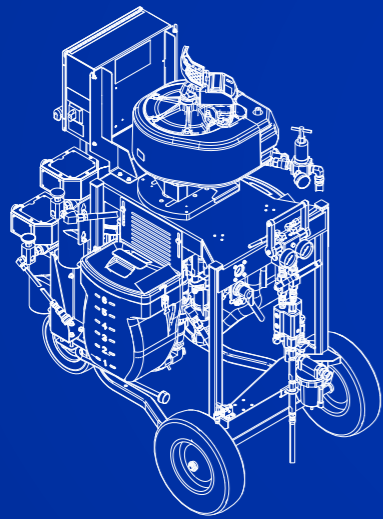
The XP line of sprayers is uniquely set-up to improve the way you spray and mix protective coatings materials.



SERIES	XP			XP-hf		XPs-hf		XP-h (hydraulic)	
	XP35	XP50	XP70	XP50-hf	XP70-hf	XP50s-hf	XP70s-hf	XP50-h	XP70-h
Model									
Motor Size (cc)	XL3400	XL6500	XL6500	XL10000	XL10000	XL10000	XL10000	Viscount II	Viscount II
Max Fluid Pressure	3500 psi (241 bar)	5000 psi (345 bar)	7250 psi (500 bar)	5000 psi (345 bar)	7250 psi (500 bar)	5000 psi (345 bar)	7250 psi (500 bar)	5000 psi (345 bar)	7250 psi (500 bar)
Flow Rate at 40 cpm <i>(approximate)</i>	2 gpm (7.6 lpm)	3 gpm (11.4 lpm)	2 gpm (7.6 lpm)	4 gpm (15.1 lpm)	3 gpm (11.4 lpm)	4 gpm (15.1 lpm)	3 gpm (11.4 lpm)	3 gpm (11.4 lpm)	2 gpm (7.6 lpm)
Standard Mix Ratios <i>(more ratios available upon request)</i>	1:1, 2:1, 2.5:1, 3:1, 4:1	1:1, 1.5:1, 2:1, 2.5:1, 3:1, 4:1	1:1, 1.5:1, 2:1, 2.5:1, 3:1, 4:1	1:1, 1.5:1, 2:1, 2.5:1, 3:1, 4:1	1:1, 1.5:1, 2:1, 2.5:1, 3:1, 4:1	1:1, 2:1, 3:1, 4:1	1:1, 2:1, 3:1, 4:1	1:1, 2:1, 2.5:1, 3:1, 4:1	1:1, 2:1, 2.5:1, 3:1, 4:1
Demand/Duty Cycle	Medium			High		Highest		High	
Manual*	3A0420			3A4381		3A6283		3A0420	

* See Operation, Repair, Parts manual for technical specifications including air, hydraulic and electrical requirements for each system.

Whether you're spraying a high-solids polyurethane or a 100% solids epoxy, Graco helps you get the job done with a complete line-up of XP Plural-Component Sprayers. To learn more about our XP sprayers or to request a custom solution, visit graco.com/xp.



XP Sprayer

EASY
AND AFFORDABLE
two component spraying.



With proper training, operators are up and running quickly. The Graco **XP** runs right out of the box with fast set-up time.

EASY
TO OPERATE
for a much quicker start-up.

PressureTrak™

- Monitors A and B differential pressure
- Provides ratio assurance
- Optional accessory; included with select models

Outlet manifold and valves

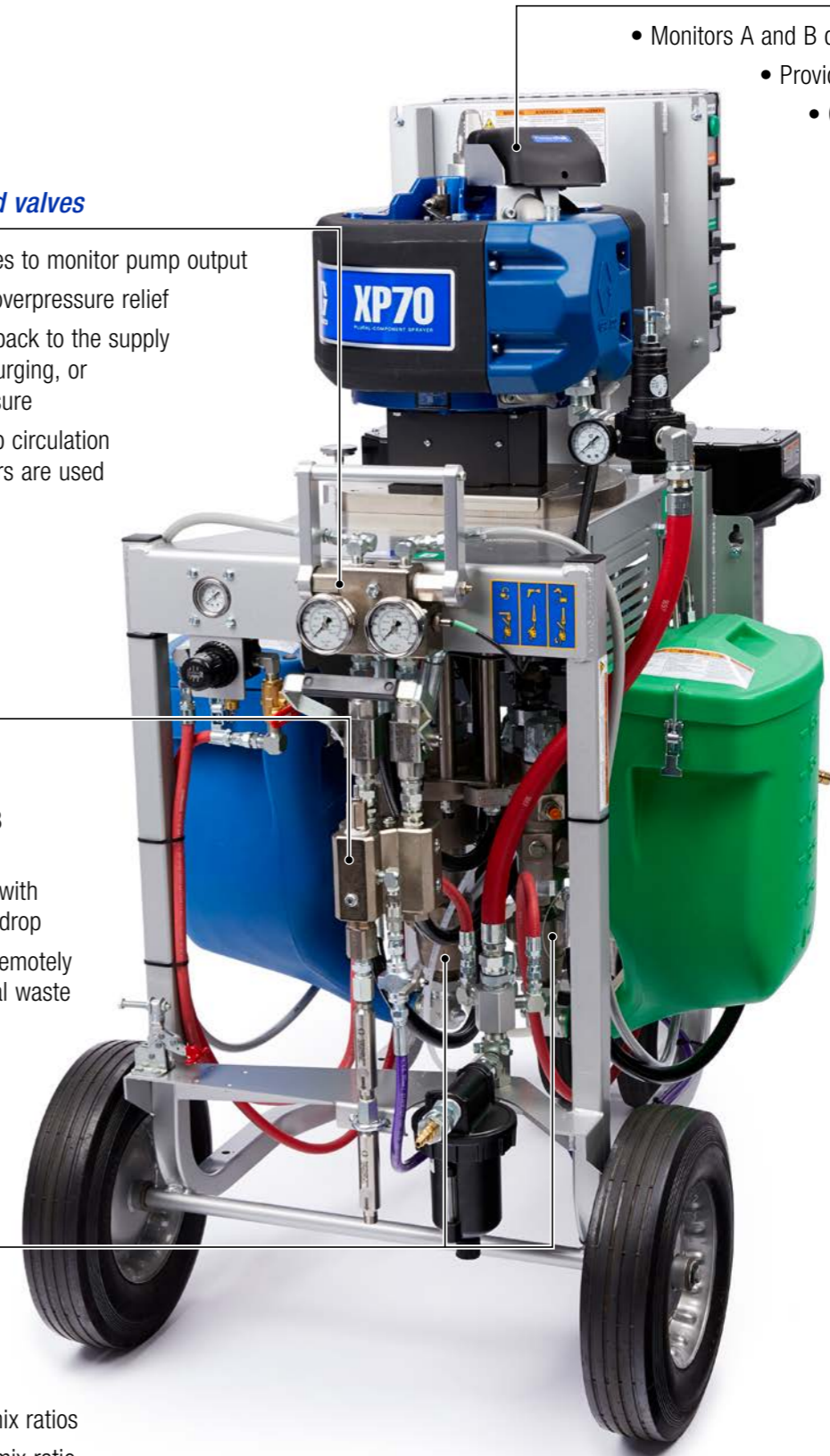
- Fluid pressure gauges to monitor pump output
- Provides automatic overpressure relief
- Includes circulation back to the supply for pump priming, purging, or relieving outlet pressure
- Allows fluid warm-up circulation when optional heaters are used

Mix manifold

- Provides simple fluid control for mixing or flushing
- Accurately dispenses A and B fluids to the static mix tube
- Handles high-solids coatings with large ports and low pressure drop
- Choose to use mix manifold remotely to reduce solvent and material waste

Xtreme® Pump Lowers

- Standard Severe Duty® coating on rods and cylinder maximizes wear life
- Quick knockdown design and throat seal cartridges provide fast and easy maintenance
- Multiple sizes available to provide various fixed mix ratios
- Easily change one or both lowers to get desired mix ratio



REDUCED MAINTENANCE COSTS

With two pumps instead of three.

Engineered to proportion with two pumps instead of three, the Graco **XP** reduces your cost of ownership with fewer components.



Optional Electric Heated Hose Controller

- Visual indicator of hose control temperature
- Standard option on select XP and XM units

XL Air Motor

- Simple maintenance
- Isolated poppet valves for reduced icing potential
- Less pulsation

Viscon® HP Primary Heaters

- Reduces coating viscosity and improves spray pattern
- 4000W

Material hoppers

- Side-mounted 7-gal (26 liter) hoppers hold A and B components
- Made of rugged polyethylene - unaffected by harsh solvents
- Optimized for direct pump feed

Heating-Fluid Circulation Kit and Viscon HP Heater

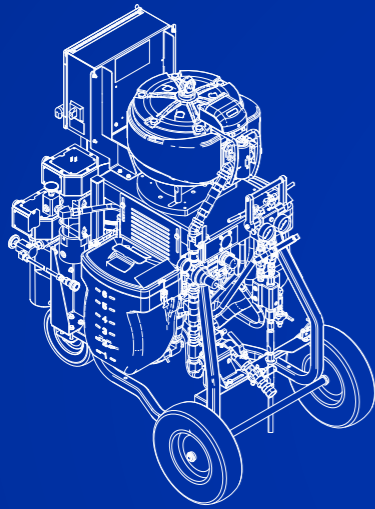
- Efficiently heats Xtreme-Wrap water-heated hose and remote manifold (*Heated Hose sold separately*)
- Quick disconnects and brass fittings for water lines
- Durable with fast heat up times

Electrical Junction Box

- Power distribution to each heat zone
- Two spare zones for flexibility
- Less hassle and faster setup time



The Graco **XP-hf** is designed with more flow capacity making it ideal for high output applications such as railcars, tank linings, marine coatings and much more. This system combines the popular XP Sprayers with the powerful XL™ 10000 air motor, giving you more flow so you can get jobs done faster with less wear and tear.



XP-hf Sprayer

MORE
FLOW CAPACITY
to get jobs done faster.



INCREASED PRODUCTIVITY and labor savings.

With the powerful XL 10000 air motor, get 60% more flow than standard XP Sprayers*. This also gives your crew the ability to use larger tips or run multiple guns, getting jobs done faster.

**Running at same cycle rate.*

Exposed Poppets

- Easy access for service and troubleshooting

Simplified Valve Design

- Fewer components for easier service
- Little to no pulsation or pattern fluctuation
- Quiet operation

External Pilot Lines

- Isolates lines from cold valve body
- Eliminates non-restartable icing stalls

De-ice Bleed Air Control

- Maintains performance during heavy icing conditions

Manual Shuttle Override Button

- Allows manual changeover of air motor if main valve experiences ice buildup



EASIER
TO SERVICE
and operate.

The Xtreme® metering pumps with quick knock-down makes it easy to service; built-in fluid filter and spring loaded lower ball checks for crisp changeover. The mechanically operated design makes it easier to understand.

PressureTrak

- Monitors A and B differential pressure
- Provides ratio assurance

XL 10000 Air Motor

- The high output, high efficiency 10000 cc air motor lets you use multiple guns with almost no perceivable pulsation

Material Hoppers

- 7 gal (26 L) hoppers hold A and B components until it's time to spray
- Optimized for direct pump feed

3-Wheeled Cart

- Portable cart with tow handle fits through a standard 36 in doorway



Viscon HF Fluid Heaters improves spray pattern with more control. Viscon HF heaters (5400W) are three times less restrictive than Viscon HP with removable, cleanable aluminum core – making it ideal for high demand applications.

IMPROVED
SPRAY PATTERN
with more control.

Electrical Junction Box

- Power distribution to each heat zone
- Two spare zones for flexibility
- Less hassle and faster setup time

Merkur[®] Solvent Flush Pump

- Quickly flushes mixed materials from hose and gun

Heating-Fluid Circulation Kit and Viscon HP Heater

- Efficiently heats water-heated hose and remote manifold (*Heated Hose sold separately*)
- Quick disconnects and brass fittings for water lines
- Durable with fast heat up times



Optional Electric Heated Hose Controller

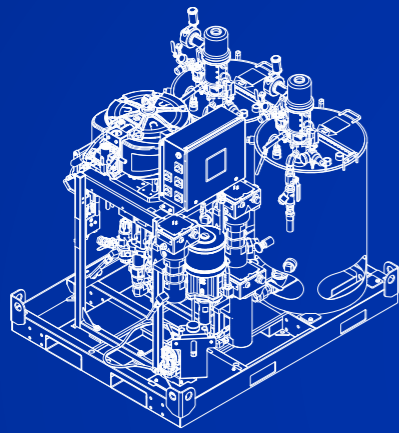
- Visual indicator of hose control temperature
- Standard option on select XP and XM units

Viscon HF Primary Heaters

- Reduces coating viscosity and improves spray pattern
- Three times more flow than Viscon HP to maximize production
 - 5400W



The Graco **XP_s-hf** skid-based system is an all-in-one solution that combines the XP-hf Sprayer with improved material conditioning. The XP_s-hf helps reduce waste, speed up cure times and improve mix ratio. With the durable, agitated heated tanks, your coatings will obtain the best conditioning to meet the highest demand applications – making you more productive.



XP_s-hf Sprayer

COMPLETE SKID SOLUTION

for your highest demand applications.



High demand projects often require large spray tips or multiple guns. This complete solution will keep up with your operation, so your crew can focus on applying the coatings.

Optional Electric Heated Hose Controller

- Visual indicator of hose control temperature
- Standard option on select XP and XM units

5:1 Monark® Feed Pump

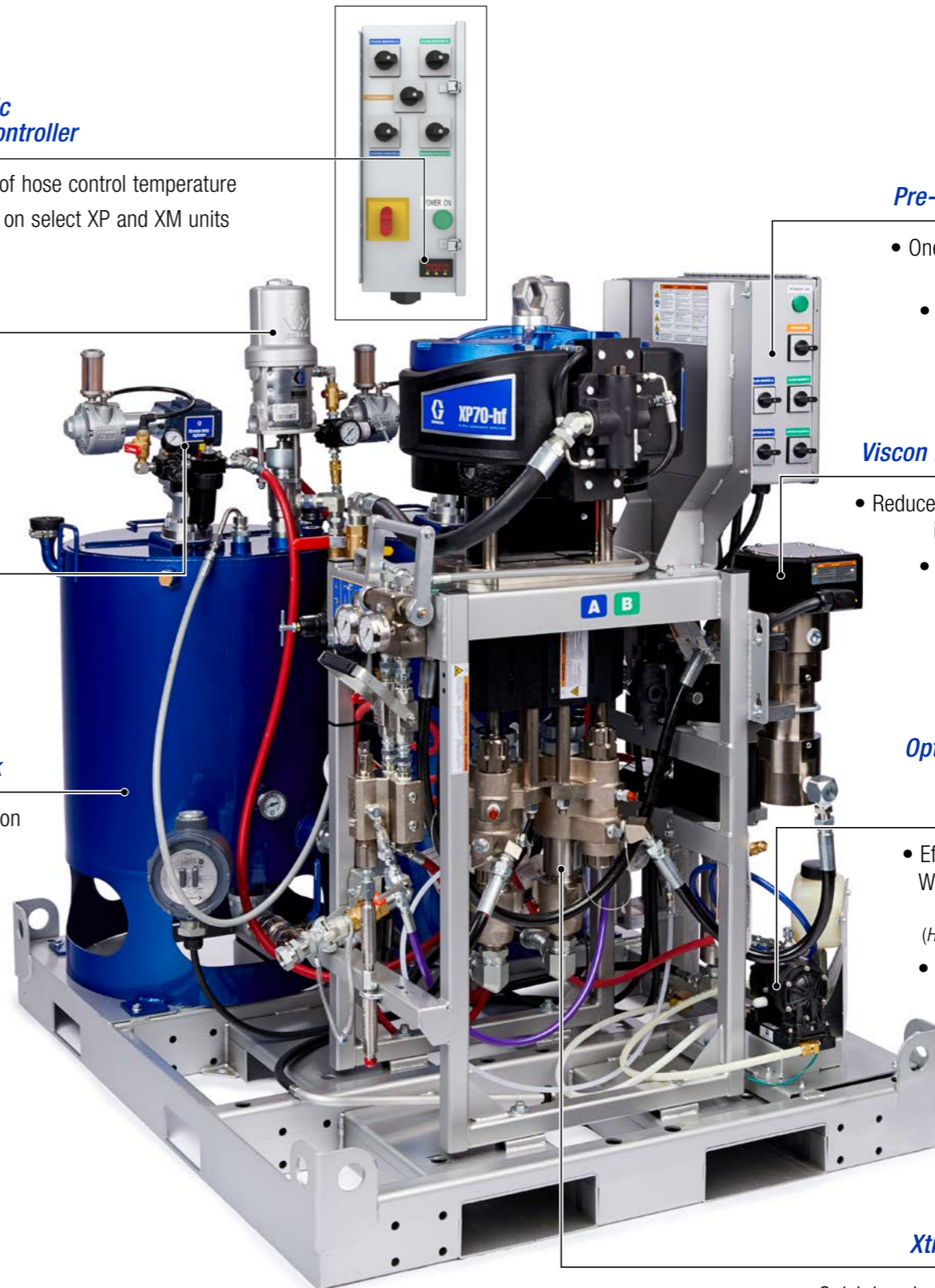
- Tank length for convenience
- Feed lines with wye strainer
- Feeds high viscosity coatings

Xtreme-Duty® Agitator

- Back-gearred with wide-paddled blades
- Mixes high viscosity coatings

25 gal (95 L) SST-lined Heated Tank

- Double-walled construction
- 3000W heaters
- Conditions high viscosity coatings



Pre-wired Junction Box

- One electrical input for all heating components
- Meets global electrical standards

Viscon HF Primary Heaters

- Reduces coating viscosity and improves spray pattern
- Three times more flow than Viscon HP to maximize production
 - 5400W

Optional Heating-Fluid Circulation Kit and Viscon HP Heater

- Efficiently heats Xtreme-Wrap water-heated hose and remote manifold (Heated Hose sold separately)
- Quick disconnects and brass fittings for water lines
- Durable with fast heat up times

Xtreme® Pump Lowers

- Quick knock-down, easy to maintain
- Two metering pumps instead of three on traditional designs
 - Fewer repair parts

Hydraulic systems are the choice of spraying professionals who want to reap the benefits of the latest spraying technologies and add productivity to boost their bottom line. The Graco **XP-h** is ideal when compressed air is limited or for truck, palletized, trailer or flatbed systems that have on-board hydraulic power. The **XP-h** is available as a cart, stand or wall-mount system.

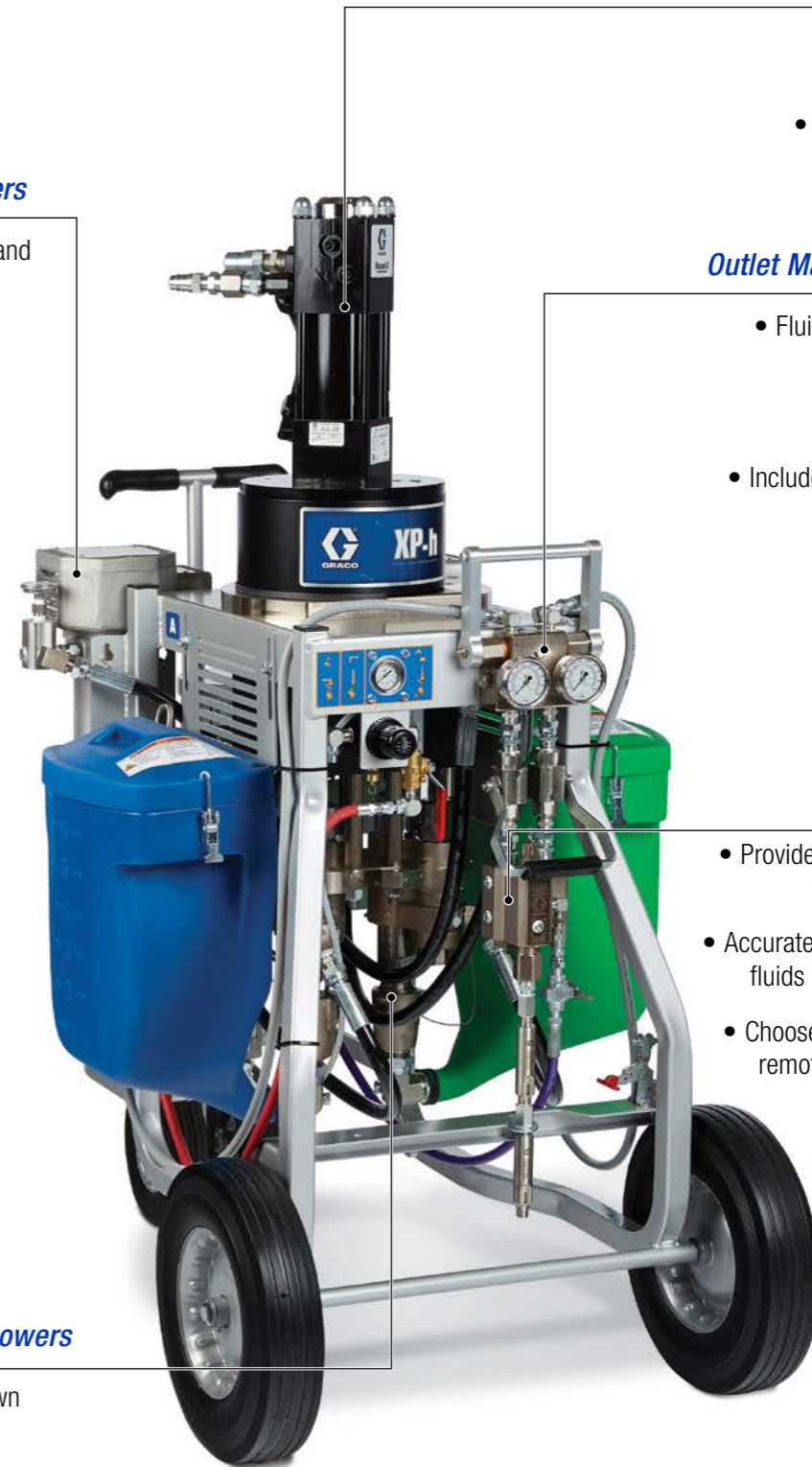


Gas-hydraulic Power Pack

- Portable for remote placement
- Quick-disconnect hydraulic connections
(Sold separately)

Viscon HP Primary Heaters

- Reduces coating viscosity and improves spray pattern
- 4000W



Viscount II Motor

- Ice free
- Energy efficient
- Smooth changeovers

Outlet Manifold and Valves

- Fluid pressure gauges to monitor pump output
- Provides automatic overpressure relief
- Includes circulation back to the supply for pump priming, purging and heating

Mix Manifold

- Provides simple fluid control for mixing or flushing
- Accurately dispenses A and B fluids to the static mix tube
- Choose to use mix manifold remotely to reduce solvent and material waste

Xtreme Pump Lowers

- Quick knock-down
- Easy to maintain
- Two metering pumps instead of three on traditional designs

With an optional PressureTrak™ or XP Pressure Monitor Kit, you have the assurance that your Graco XP is spraying on-ratio. It monitors the spray pressures on the A and B sides, and shuts down the sprayer if poor spraying conditions occur.

The Benefits are:

- Better overall productivity – projects finish on time
- Confidence in the quality of your work
- Reduced labor and rework costs



PressureTrak



Pressure Monitor Kit

**ON-RATIO
SPRAYING**
means peace of mind.

► Ordering Information – Configurator

XP Cart Configurations using XL3400 or XL6500 Air Motor

See Operation and Parts Manual 3A0420 for Technical Details.

FIRST 3 DIGITS		4TH + 5TH DIGITS		6TH DIGIT											
WHICH XP		MIX RATIO A/B LOWER		FEATURES / ADD ONS											
DIGITS 1,2+3	UNIT	DIGITS 4 + 5	RATIO	DIGIT 6	PUMP ASSEMBLY Motor & Lowers	CART	HOPPERS 7 Gallon	PRIMARY A/B HEATERS Viscon HP (2)	SOLVENT PUMP	JUNCTION BOX 5-zone	HEATING-FLUID CIRC PUMP Hose Heat	VISCON HP HEATER Hose Heat	RATIO ASSURANCE PressureTrak	HOSE & XTR GUN 35 ft Hose (10.7m)	EX MARKED
281	XP35	10	1:1	0	X										X
282	XP50	15	1.5:1	1	X	X								X	X
571	XP70	20	2:1	2	X	X	X							X	X
		25	2.5:1	3	X	X		240V	X					X	X
		30	3:1	4	X	X	X	240V	X					X	X
		40	4:1												

XP Cart Configurations using XL3400 or XL6500 Air Motor, with Junction Box

See Operation and Parts Manual 3A0420 for Technical Details.

FIRST 3 DIGITS		4TH + 5TH DIGITS		6TH DIGIT											
WHICH XP		MIX RATIO A/B LOWER		FEATURES / ADD ONS											
DIGITS 1,2+3	UNIT	DIGITS 4 + 5	RATIO	DIGIT 6	PUMP ASSEMBLY Motor & Lowers	CART	HOPPERS 7 Gallon	PRIMARY A/B HEATERS Viscon HP (2)	SOLVENT PUMP	JUNCTION BOX 5-zone	HEATING-FLUID CIRC PUMP Hose Heat	VISCON HP HEATER Hose Heat	RATIO ASSURANCE PressureTrak	HOSE & XTR GUN 35 ft Hose (10.7m)	EX MARKED
<i>With Junction Box, Hose heat or PressureTrak</i>		10	1:1	5	X	X	X	240V	X	X				X	
574	XP35	15	1.5:1	6	X	X	X	240V	X		X	240V	X	X	X
575	XP50	20	2:1	7	X	X	X	240V	X	X	X	240V	X	X	
576	XP70	25	2.5:1	8	X	X	X	480V	X	X				X	
		30	3:1	9	X	X	X	480V	X	X	X	480V	X	X	
		40	4:1												

► Ordering Information – Configurator

XP-hf Cart Configurations using XL10000 Air Motor

See Operation and Parts Manual 3A4381 for Technical Details.

FIRST 3 DIGITS		4TH + 5TH DIGITS		6TH DIGIT												
WHICH XP		MIX RATIO		FEATURES / ADD ONS												
DIGITS 1, 2 + 3	UNIT	DIGITS 4 + 5	RATIO	DIGIT 6	PUMP ASSEMBLY Motor & Lowers	CART	HOPPERS 7 Gallon	PRIMARY A/B HEATERS Viscon HF (2)	SOLVENT PUMP	JUNCTION BOX 5-zone	HEATING-FLUID CIRC PUMP Hose Heat	VISCON HP HEATER Hose Heat	RATIO ASSURANCE PressureTrak	HOSE & XTR GUN 35 ft Hose (10.7m)	EX MARKED	
573	XP50-hf	10	1:1	0	X										X	
		15	1.5:1	1	X	X								X	X	
		20	2:1	2	X	X	X							X	X	
		25	2.5:1	3	X	X		240V	X						X	X
572	XP70-hf	30	3:1	4	X	X	X	240V	X					X	X	
		40	4:1	5	X	X	X	240V	X	X				X		
				6	X	X	X	240V	X			X	240V	X	X	X
				7	X	X	X	240V	X	X	X	X	240V	X	X	
				8	X	X	X	480V	X	X				X		
				9	X	X	X	480V	X	X	X	480V	X	X		

XP-hf Cart Configurations with No Lower

- 572000 XP70-hf – no lowers, with cart, 35 ft (10.7m) fluid hose and XTR gun
- 573000 XP50-hf – no lowers, with cart, 35 ft (10.7m) fluid hose and XTR gun

► Ordering Information – Configurator

XP-hf Skid Configurations using XL10000 Air Motor

See Operation and Parts Manual 3A6283 for Technical Details.

FIRST 3 DIGITS		4TH DIGIT		5TH DIGIT							6TH DIGIT			
WHICH XP		MIX RATIO		FEATURES / ADD ONS							HEATED HOSE			
DIGITS 1, 2 + 3	UNIT	DIGIT 4	RATIO	DIGIT 5	PUMP ASSEMBLY Motor & Lowers	SKID	HOPPERS 25 Gallon sst lined Heated with XD agitator	PRIMARY A/B HEATERS Viscon HF (2)	SOLVENT PUMP	JUNCTION BOX 5-zone	HOSE & XTR GUN 35 ft Hose (10.7m)	APPROVED FOR HAZARDOUS LOCATIONS	DIGIT 6	HEATED HOSE OP- TIONS
577	70:1	1	1:1	0	X	X	X	240V Ordinary Loc.	X	240V Ordinary Loc.	X		1	Water Heated Hose (Includes Heater & Circulation Pump)
		2	2:1	1	X	X	X	240V Hazardous Loc.	X	240V Hazardous Loc.	X		2	None
		3	3:1	2	X	X	X	480V Ordinary Loc.	X	480V Ordinary Loc.	X			
578	50:1	4	4:1	3	X	X	X	480V Hazardous Loc.	X	480V Hazardous Loc.	X		3	Electric Heated Hose

► Ordering Information – Configurator

XP-h (hydraulic) Cart Configurations using Viscount II Hydraulic Motor

See Operation and Parts Manual 3A0420 for Technical Details.

FIRST 3 DIGITS		4TH + 5TH DIGITS		6TH DIGIT								
WHICH XP		MIX RATIO		FEATURES / ADD ONS								
DIGITS 1, 2 + 3	UNIT	DIGITS 4 + 5	RATIO	DIGIT 6	MAX WORKING PRESSURE	PUMP ASSEMBLY Motor & Lowers	CART	HOPPERS 7 Gallon	PRIMARY A/B HEATERS Viscon HP (2)	SOLVENT PUMP	HOSE & XTR GUN 35 ft Hose (10.7m)	EX MARKED
284	XP-h	10	1:1	4	5000 psi	X	X	X			X	
		20	2:1	5	5000 psi	X	X	X	240V	X	X	
		25	2.5:1	6	7250 psi	X	X	X			X	
		30	3:1	7	7250 psi	X	X	X	240V	X	X	
		40	4:1									

Note: 24X011 gas/hydraulic power pack available for these models.

► Which XM is Right For You?

The XM line of sprayers is uniquely set-up to improve the way you spray and mix protective coatings materials.



MODEL	XM50	XM70
Mix Ratio Range	1:1 to 10:1 (in 0.1 increments)	1:1 to 10:1 (in 0.1 increments)
Minimum Flow Rate	1 qt/min (0.95 lpm)*	1 qt/min (0.95 lpm)*
Maximum Flow Rate	3 gpm (11.4 lpm)*	3 gpm (11.4 lpm)*
Maximum Mixed Fluid Working Pressure	5200 psi (358 bar, 35.8 MPa)	6300 psi (434 bar, 43.4 MPa)
Maximum Pump Air Set Pressure	100 psi (7.0 bar, 0.7 MPa)	90 psi (6.2 bar, 0.62 MPa)

* Actual flow rates vary by material type

Graco **XM** plural-component sprayers are designed to spray the toughest plural-component materials, with the assurance that you're spraying accurately and on-ratio. Ideally suited for marine, bridge, rail and wind energy applications, each Graco XM is fully configurable – simply start with a base unit and select additional components required for your application.

ACCURATE
RATIO CONTROL
 for quality assurance you can count on.

Intuitive User Controls

- Adjustable ratio control, 1:1 to 10:1
- Provides real-time display of ratio for ultimate spraying control
- USB drive for data reporting



Heavy-Duty Carbon Steel Frame

- Built-in pallet rack for easy transport

Mounting Bracket

- Supports up to three fluid heaters (A, B and hose heat)

XL Air Motors

- Simple maintenance
- Reduced icing
- Less pulsation

Material Hoppers

- Rear mount
- Choose 10 gal (38 L) stainless steel or 25 gal (95 L) stainless steel lined tanks (heated)



FLEXIBLE CONFIGURATIONS

to give you options for each application need.

With Graco XM plural-component sprayers, you have the flexibility to select the essential equipment on your system to complete your jobs accurately and reliability. Whether your application requires a basic machine or one that is fully loaded, Graco **XM** sprayers provide the technology and performance you need to get the job done faster and more efficiently than ever before.

Explosion-Proof Junction Box

- Conveniently houses switches and breakers for heaters
- Explosive atmosphere approval only on individual component
- Provides control and sight of Electric Heated Hose Controller without opening enclosure

Mix Manifold

- Provides precision mixing and accurate ratio control, even at high flow rates
- Choose standard or remote mount

Transfer Pumps

- 25 gal (95 L) stainless steel heated tanks each come with a Monark 5:1



Viscon Fluid Heaters

- Choose standard or model approved for explosive atmospheres
- Reduces coating viscosity and improves spray pattern
- Viscon HP models, 4000W
- Viscon HF models, 5400W (three times more flow than Viscon HP)

The user interface on the Graco **XM** is intuitive and simple to use. It provides two display modes: “setup” for entering parameters and a basic “run” mode for everyday operation. The user interface monitors and tracks pressure, temperature and flow and allows you to program maintenance schedules as well. With a conveniently located USB port, you can easily access and download historical spraying data.

EASY
TO USE CONTROLS
to monitor and track critical data.

Ratio Set Point

- Accurately displays your set-point



Three Basic Operation Modes

- Spray
- Circulate
- Park

Material mixing reaches a new level of precision due to Graco's dosing technology. With the Graco XM, the 'B' side material is injected at high pressure into the 'A' side material. Advanced sensors allow pumps to compensate for pressure fluctuations, resulting in accurate, on-ratio mixing for better yield and less waste. Choose standard, frame-mounted mix manifold or remote mix manifold; both include a pressure gauge that displays fluid output pressure.



Standard Mix Manifold



Remote Mix Manifold

PRECISE MIXING

and ratio assurance.

► Hazardous Location – Configurator

Configure an XM plural component sprayer from this table when the application requires an official top-level approval for use in hazardous locations.

XM		1		N			0		0	
1st 2-Digits		3rd Digit		4th Digit			5th Digit		6th Digit	
Model		Series	Remote Manifold		Control Power	Viscon HP Fluid Heaters		Feed System		Heated Hose
					IS Alternator	Explosion Proof		Feed		
						240V				
XM	1	50		N	X		0	None	0	None
	3	70		E*	X	X	1	10 gal SST		
	5	50	X							
	7	70	X							

*Uses Explosion-Proof Viscon High Pressure (HP) Fluid Heaters

► Hazardous Location Components – Configurator

Configure an XM plural component sprayer from the table below for applications in hazardous locations. Designed with hazardous location approved components, these sprayers can be submitted for official top-level approval for use in hazardous locations by the asset owner at a later date.

XM		1		P				0		0			
1st 2-Digits		3rd Digit		4th Digit				5th Digit		6th Digit			
Model		Series	Remote Manifold		Control Power	Viscon HF Fluid Heaters		Junction Box			Feed System		Heated Hose
					IS Alternator	Explosion Proof		Explosion Proof			Feed		
						240	480	240	480				
XM	1	50		P*	X	X				0	None	0	None
	3	70		F*	X		X			1	10 gal SST	W	Water Jacket
	5	50	X	J*	X	X		X		2	25 gal Htd. Tanks	E	Electric
	7	70	X	K*	X		X		X				

*Uses Explosion-Proof Viscon High Flow (HF) Fluid Heaters

► Non-Hazardous Location – Configurator

Configure an XM plural component sprayer from the table below for applications in a non-hazardous location.

XM		1		L				0		0			
1st 2-Digits		3rd Digit		4th Digit				5th Digit		6th Digit			
Model		Series	Remote Manifold		Control Power	Viscon HF Fluid Heaters		Junction Box			Feed System		Heated Hose
					Wall Power	Ordinary Location		Ordinary Location			Feed		
						240	480	240	480				
XM	1	50		L	X					0	None	0	None
	3	70		M	X	X		X		1	10 gal SST	W	Water Jacket
	5	50	X	H	X		X		X	2	25 gal Htd. Tanks	E	Electric
	7	70	X										

► XP and XM Options and Accessories



SST Lined Heated Tanks

- 25 gal (95 L) double-walled tank
- 3000W Immersion heaters
- Xtreme-Duty agitator
- 5:1 Monark feed pump
- Gravity or pressure feed
- Floor or caster mount



Polyethylene Heated Hoppers

- 20 gal (76 L) double-walled hopper
- Set up for gravity or pressure feed
- Accepts both agitator and feed pump
- Jacketed for heated water/glycol or oil
- Tank heat using immersion heaters or Viscon™ HP heated circulation



7 gal (27 L) Plastic Hopper

- Gravity feed with recirculation port
- Blue for resin, green for hardener
- Includes hardware to bolt onto XP cart

10 gal (38 L) SST Hopper

- Gravity feed with recirculation port
- Flat surfaces clean with ease



Merkur® Solvent Flush Pump

- Quickly flushes mixed materials from hose and gun
- Provides enough pressure to push good paint out the mix hose with a spray pattern
- Prime valve can be used to supply flush solvent for tip cleaning, or flush a second hose and gun that have been removed from the tee in the mix line



Xtreme-Duty® Drum Agitator

- Designed specifically with protective coatings materials in mind
- Special blades are designed to keep high viscosity materials in suspension
- Better mixing and quality control of your high solids coatings



Xtreme Pump Lower

- Change one or both lowers for desired mix ratio
- XP uses specific Xtreme pump lowers with spring-loaded inlet valves, 30 mesh filters, and no prime valves
- Overpressure rupture protection included on 36 cc, 48 cc, 54 cc, 58 cc and 72 cc sizes



Viscon® Fluid Heaters

- Reduces viscosity so it can be sprayed at lower pressure
- Provides consistent spray temperature, resulting in consistent spray pattern and better thickness control
- Mounts easily to slotted holes (requires heater mounting kit 262450)
- Standard or hazardous atmosphere



Graco Gun Splitter

The Graco Gun Splitter lets you use two spray guns with one Plural-Component Sprayer. In addition, you can independently clean and flush one gun, while the other gun remains in use. If you're using a higher production machine, the Gun Splitter helps you become even more productive.



Remote Mount Mix Manifold

- Mix manifold on sprayer is removable and can be located closer to the spray gun to reduce the volume of mixed coatings and required flush solvent - results in less wasted materials
- A and B hoses from the sprayer to the mix manifold don't need to be flushed and can be sized for less pressure loss over long distances
- Manifold is heated when using water/glycol heated hose



Recirculation Kits

- Recirculate material through heated hose back to hoppers with ease
- No need to disconnect hoses from manifold
- Adapts to all XP and XM systems



Heated Hoses

- If spraying short pot-life materials, it is recommended to place the mix manifold remotely and use heated hose to maintain material temperature a desired distance from the machine
- Removeable hook and loop scuff jacket – easy to change hose diameters for different ratios

Water Heated Hose

- Four heavy-duty polyurethane water heating hoses – light weight, flexible and unmatched heat transfer
- Transportation grade brass water tube fittings - no leak design

Electric Heated Hose

- Designed for hazardous locations
- Available in 50 ft (15 m), 100 ft (30 m), 150 ft (45 m) and 200 ft (60 m) continuous lengths



GRACO HEADQUARTERS

WORLDWIDE HEADQUARTERS

Graco Inc.
88 -11th Avenue N.E.
Minneapolis, MN 55413
Tel: 612-623-6000



Graco Has You Covered

Facilities Worldwide for Global Support



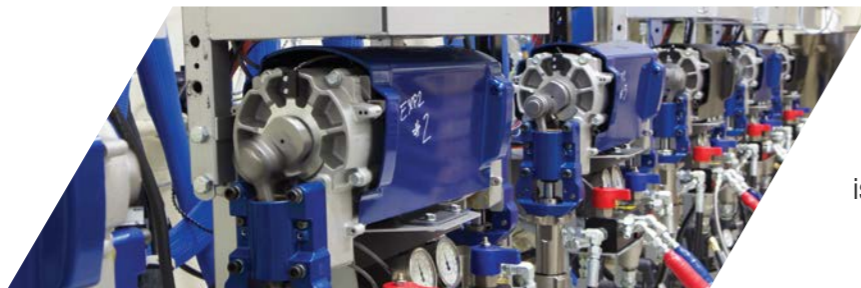
Quality First

At Graco we pride ourselves on providing best-in-class products. Engineered solutions are manufactured in our own facilities, with the highest standards in the industry. We provide you with world-class customer support and expertise to help solve your application challenges.



Global Reach

Graco has facilities across the globe to provide you with the products and service you need, where you live. Plus, Graco has dedicated field experts in all areas of the world to support the products we sell.



Product Capabilities

Graco has a broad range of products that are engineered and tested to perform in the harshest environments so you can be certain your equipment is protected and working at peak performance.

→ **Contact us today!**