



8400 Port Jackson Ave. NW • North Canton, OH 44720 • P: 800-746-1334 • F: 330-966-3006 • fluidautomation@graco.com • www.fluidautomation.com

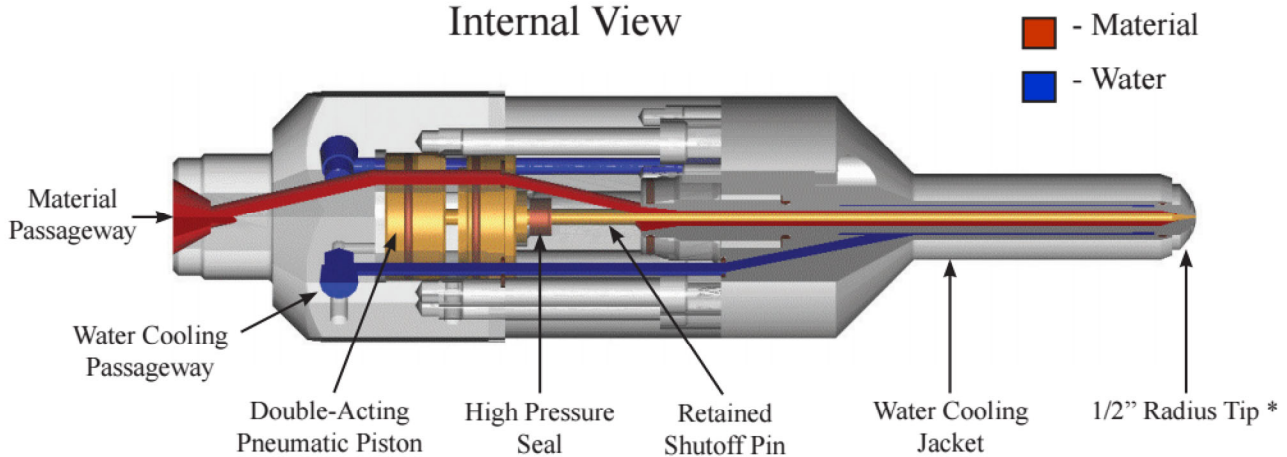
SN712, SN713 and SN714 Series Double-Acting LSR Shutoff Nozzles

This series of nozzle designs feature a sleek profile with the elimination of the external actuating lever used on previous versions. The shutoff pin is retained inside the encapsulated pneumatic piston and is actuated to start and stop the material flow. The pneumatic piston and shutoff pin are in line with the nozzle outlet which eliminates side forces and assures leak-free operation. The water-cooling ports are located at the back end of the nozzle adapter to provide exceptional clearance into the platen. The standard nozzle tip design offers quick changes between the different tip versions without having to remove the assembly from the machine. Diving tips offer a removable tip with a replaceable PTFE seal. With over 100 different nozzle adapter designs, in both Flange & Screw-In styles, these nozzles can connect to most LSR injection molding machine barrels. Custom designs in either style are also available. The four different models offer sizes used on 5 to 500 ton machines. With multiple tip styles, we can match to most sprue bushing designs and sizes. The water cooled design provides exceptional cooling while in contact with the heated mold.



Flange & Thread-In Style Nozzle Adapters With Diving, Radius Ball Nose & Flat Tips Available.

Internal View



Tip Styles Include: 1/2" Radius, 10mm Radius, Flat Tip, 12mm Diving, 15mm Diving, 20mm Diving, 25mm Diving Tips & Direct Cavity Shutoff (see other side for availability).

Nozzle Selection Guide

Nozzle Style

- SN712 - Standard Size Nozzle
- SN713 - Small Size Nozzle
- SN714 - Large Size Nozzle
- SN715 - Extra Large Size Nozzle

Tip Style

- 1A - Standard Length 1/2" Radius Ball Nose ①,②&③
- 2A - 12mm Diving Tip ②
- 3A - Flat Tip ①,②,③&④
- 4A - Extended Length 1/2" Radius Ball Nose ①,②,③&④
- 6A - Shortened Length 1/2" Radius Ball Nose ①,②&④
- 8A - 15mm Diving Tip, Screw-In Tip ①&②
- 9A - 20mm Diving Tip, Screw-In Tip ①&②
- 10A - 25mm Diving Tip, Screw-In Tip ①&③
- 11A - Shortened Length 25mm Diving Tip, Screw-In Tip ①
- 12A - Shortened Length 15mm Diving Tip, Screw-In Tip ①&②
- 13A - Direct Cavity Shut-off Nozzle Tip ②
- 14A - Shortened Length 20mm Diving Tip, Screw-In Tip ②
- 15A - Standard Length 10mm Radius Ball Nose ②
- 16A - Extended Length 10mm Radius Ball Nose ②

SPC

- Special Modification
- SN713 Series ONLY:
Shortened Nozzle Base & Nozzle Pin.

Outlet Hole Diameter

- .078 - Standard Diameter Outlet ①&②
- .094 - Special Diameter Outlet ①&②-(SN713 Diving Tip ONLY)
- .125 - Standard Diameter For Diving Tips ①
- .147 - Special Diameter Outlet ①
- .188 - Standard Diameter Outlet ②
- .250 - Standard Diameter Outlet ②

Barrel Adapter:

Customer or Manufacturer FAI Job Number
(May Require OEM Drawings)

Available on ①-SN712 ②-SN713 ③-SN714 ④-SN715

Tip Dimensions

"X" Dimensions	"Y" Dimensions
SN712 Nozzle Tips	SN712 Nozzle Tips
1A - 3.198 Inches	1A - n/a
3A - 3.198 Inches	2A - n/a
4A - 5.198 Inches	3A - n/a
6A - 2.198 Inches	4A - n/a
8A - 3.700 Inches	8A - 0.996 Inches
9A - 3.700 Inches	9A - 0.996 Inches
10A - 3.700 Inches	10A - 1.688 Inches
11A - 2.700 Inches	11A - 1.688 Inches
12A - 2.700 Inches	12A - .996 Inches
SN713 Nozzle Tips	SN713 Nozzle Tips
1A - 2.250 Inches	1A - n/a
2A - 3.250 Inches	2A - 1.010 Inches
3A - 2.250 Inches	3A - n/a
4A - 3.250 Inches	4A - n/a
6A - 1.250 Inches	6A - n/a
8A - 3.350 Inches	8A - .875 Inches
9A - 3.350 Inches	9A - .875 Inches
12A - 2.350 Inches	12A - .875 Inches
13A - 2.750 Inches	13A - n/a
14A - 2.350 Inches	14A - .875 Inches
15A - 2.250 Inches	15A - n/a
16A - 3.250 Inches	16A - n/a
SN714 Nozzle Tips	SN714 Nozzle Tips
1A - 3.200 Inches	1A - n/a
3A - 3.200 Inches	3A - n/a
4A - 5.200 Inches	4A - n/a
10A - 3.575 Inches	10A - 1.625 Inches
SN715 Nozzle Tips	SN715 Nozzle Tips
3A - 1.827 Inches	3A - n/a
4A - 6.202 Inches	4A - n/a
6A - 1.827 Inches	6A - n/a



Engel



Toshiba Machine Co.

